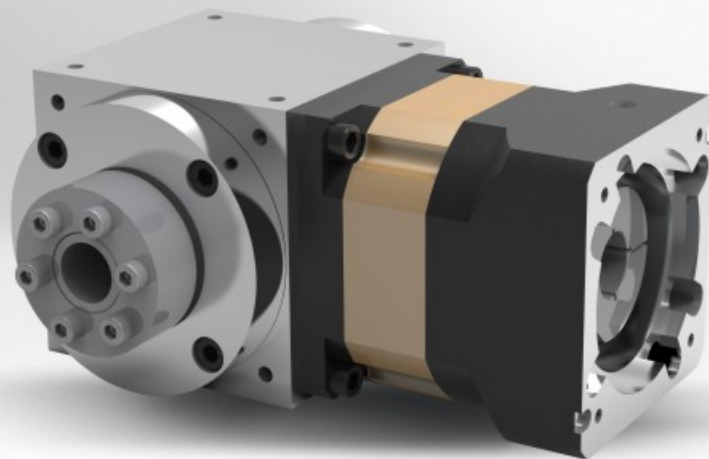


# KTFC

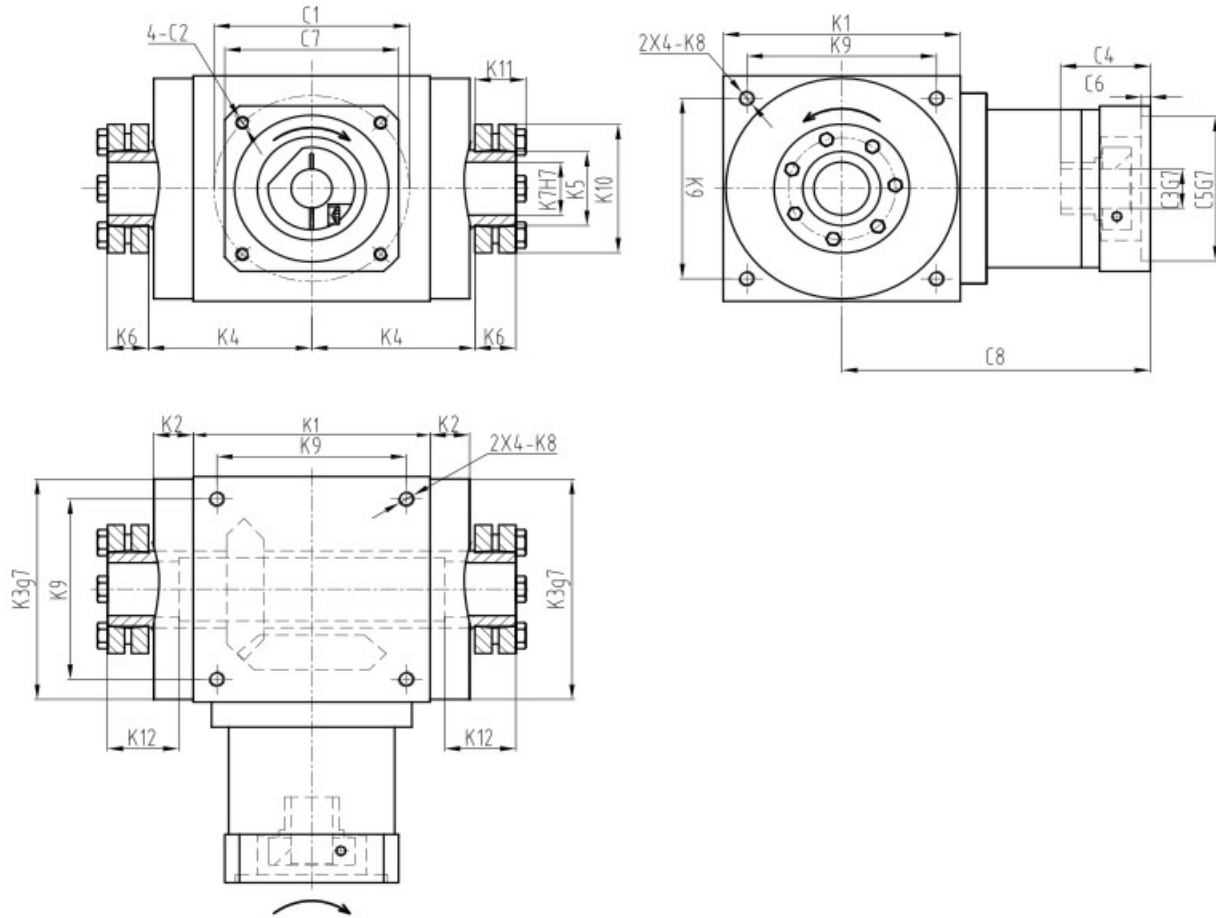
Powerful. Precision. Reliable

▶ Spiral Bevel Gearbox

Advanced Gearbox Solution



**KTFC Dimensions**



Size	KT070FC	KT090FC	KT110FC	KT140FC	KT170FC	KT210FC	KT240FC
K1	75	90	110	140	170	210	240
K2	14.5	15	15	15	15	20	25
K3	Φ73	Φ88	Φ108	Φ135	Φ165	Φ205	Φ235
K4	54	62	72	87	102	127	147
K5	Φ16	Φ22	Φ25	Φ44	Φ50	Φ62	Φ68
K6	14	18	18	24	26	29	29
K7	Φ12	Φ18	Φ22	Φ32	Φ40	Φ50	Φ55
K8	M6X8	M6X15	M8X10	M10X13	M12X20	M16X25	M16X35
K9	60	72	88	110	134	170	190
K10	41	50	50	80	90	110	115
K11	18.5	23	23	29.5	31.5	34.5	34.5
K12	32	35	40	50	55	65	80

Size	KT070FC	KT090FC	KT110FC	KT140FC	KT170FC	KT210FC	KT240FC
<b>Connection Dimensions of 1-stage Reducion Motor</b>							
C1	Φ70	Φ90	Φ90	Φ145	Φ145	Φ200	Φ215
C2	M5X12	M6X15	M6X15	M8X20	M8X20	M12X25	M12X25
C3	Φ14	Φ19	Φ19	Φ24	Φ24	Φ35	Φ42
C4	32.1	41.6	41.6	61.3	61.3	82	116
C5	Φ50	Φ70	Φ70	Φ110	Φ110	Φ114.3	Φ180
C6	6.5	6.5	6.5	8	8	8	8
C7	70	85	85	120	120	175	190
C8	93	103	143	172.2	248.5	318	355
<b>Connection Dimensions of 2-stages Reducion Motor</b>							
C1	Φ70	Φ90	Φ90	Φ145	Φ145	Φ200	Φ215
C2	M5X12	M6X15	M6X15	M8X20	M8X20	M12X25	M12X25
C3	Φ14	Φ19	Φ19	Φ24	Φ24	Φ35	Φ42
C4	32.1	41.6	41.6	61.3	61.3	82	116
C5	Φ50	Φ70	Φ70	Φ110	Φ110	Φ114.3	Φ180
C6	6.5	6.5	6.5	8	8	8	8
C7	70	85	85	120	120	175	190
C8	114.5	137	147	208	248.5	318	355
<b>Connection Dimensions of 3-stages Reducion Motor</b>							
C1	Φ70	Φ90	Φ90	Φ145	Φ145	Φ200	Φ200
C2	M5X12	M6X15	M6X15	M8X20	M8X20	M12X25	M12X25
C3	Φ14	Φ19	Φ19	Φ24	Φ24	Φ35	Φ35
C4	32.1	41.6	41.6	61.3	61.3	82	82
C5	Φ50	Φ70	Φ70	Φ110	Φ110	Φ114.3	Φ114.3
C6	6.5	6.5	6.5	8	8	8	8
C7	70	85	85	120	120	175	175
C8	138.2	168	178.3	249.8	309.5	358	399

The dimensions modified as per the applied motor flanges.

You can get the specific gearbox drawing solution by KDP(Kofon Design Programme) on line from our website: [www.kofon-motion.com](http://www.kofon-motion.com)

Technical Memo

