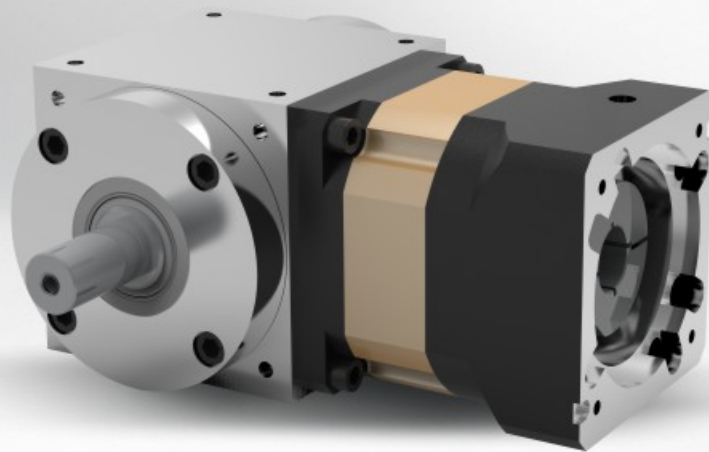


KTFL

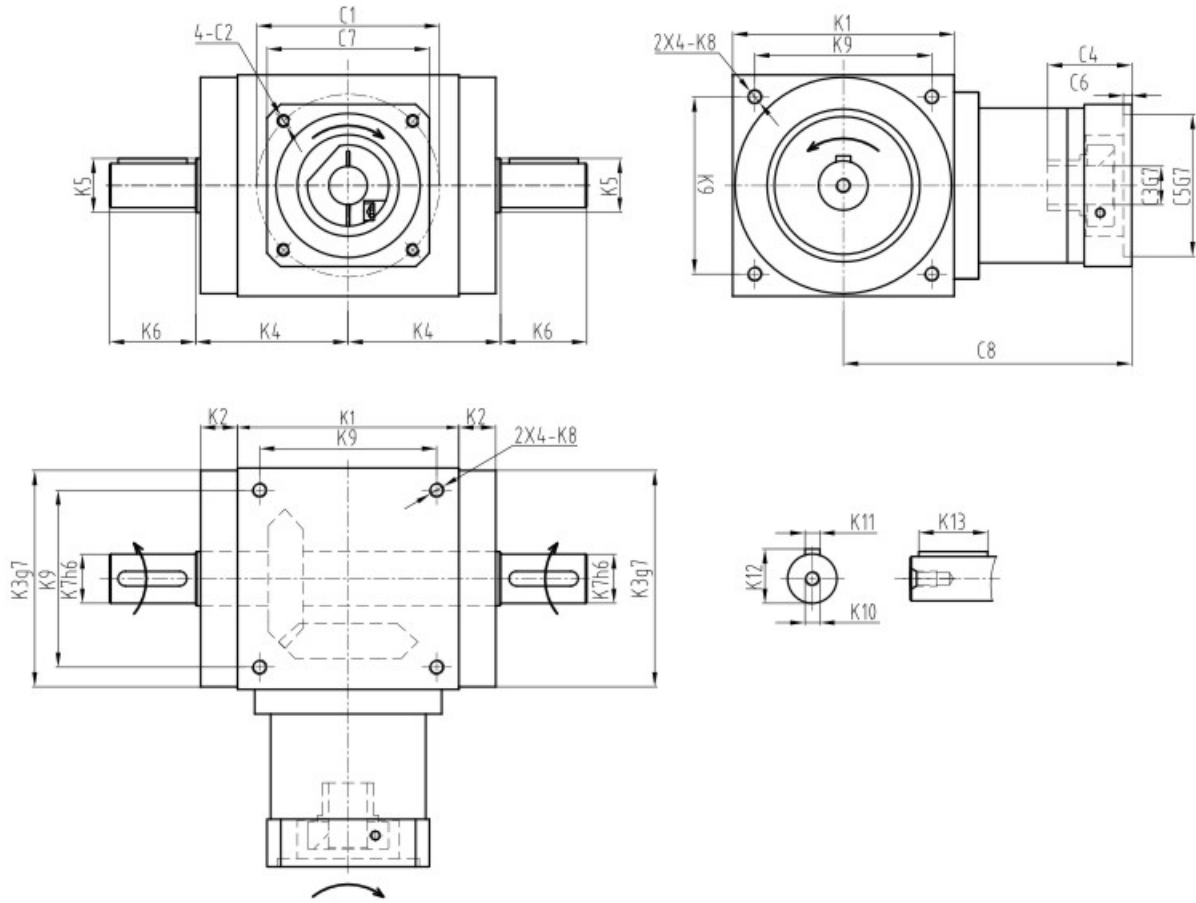
Powerful. Precision. Reliable

▶ Spiral Bevel Gearbox

Advanced Gearbox Solution



KTFL Dimensions



Size	KT070FL	KT090FL	KT110FL	KT140FL	KT170FL	KT210FL	KT240FL
K1	75	90	110	140	170	210	240
K2	14.5	15	15	15	15	20	25
K3	Φ73	Φ88	Φ108	Φ135	Φ165	Φ205	Φ235
K4	54	62	72	87	102	127	147
K5	Φ22	Φ25	Φ30	Φ47	Φ55	Φ75	Φ85
K6	30	35	40	50	60	75	85
K7	Φ16	Φ18	Φ22	Φ32	Φ40	Φ50	Φ55
K8	M6X8	M6X15	M8X10	M10X13	M12X20	M16X25	M16X35
K9	60	72	88	110	134	170	190
K10	M5X12.5	M5X12.5	M8X19	M12X28	M16X36	M16X36	M16X36
K11	5	6	6	10	12	14	16
K12	18	20.5	24.5	35	43	53.5	59
K13	25	28	32	45	50	70	80

Size	KT070FL	KT090FL	KT110FL	KT140FL	KT170FL	KT210FL	KT240FL
Connection Dimensions of 1-stage Reducion Motor							
C1	Φ70	Φ90	Φ90	Φ145	Φ145	Φ200	Φ215
C2	M5X12	M6X15	M6X15	M8X20	M8X20	M12X25	M12X25
C3	Φ14	Φ19	Φ19	Φ24	Φ24	Φ35	Φ42
C4	32.1	41.6	41.6	61.3	61.3	82	116
C5	Φ50	Φ70	Φ70	Φ110	Φ110	Φ114.3	Φ180
C6	6.5	6.5	6.5	8	8	8	8
C7	65	85	85	120	120	175	190
C8	93	103	143	172.2	248.5	318	355
Connection Dimensions of 2-stages Reducion Motor							
C1	Φ70	Φ90	Φ90	Φ145	Φ145	Φ200	Φ215
C2	M5X12	M6X15	M6X15	M8X20	M8X20	M12X25	M12X25
C3	Φ14	Φ19	Φ19	Φ24	Φ24	Φ35	Φ42
C4	32.1	41.6	41.6	61.3	61.3	82	116
C5	Φ50	Φ70	Φ70	Φ110	Φ110	Φ114.3	Φ180
C6	6.5	6.5	6.5	8	8	8	8
C7	65	85	85	120	120	175	190
C8	114.5	137	147	208	248.5	318	355
Connection Dimensions of 3-stages Reducion Motor							
C1	Φ70	Φ90	Φ90	Φ145	Φ145	Φ200	Φ200
C2	M5X12	M6X15	M6X15	M8X20	M8X20	M12X25	M12X25
C3	Φ14	Φ19	Φ19	Φ24	Φ24	Φ35	Φ35
C4	32.1	41.6	41.6	61.3	61.3	82	82
C5	Φ50	Φ70	Φ70	Φ110	Φ110	Φ114.3	Φ114.3
C6	6.5	6.5	6.5	8	8	8	8
C7	65	85	85	120	120	175	175
C8	138.2	168	178.3	249.8	309.5	358	399

The dimensions modified as per the applied motor flanges.

You can get the specific gearbox drawing solution by KDP(Kofon Design Programme) on line from our website: www.kofon-motion.com

Technical Memo

