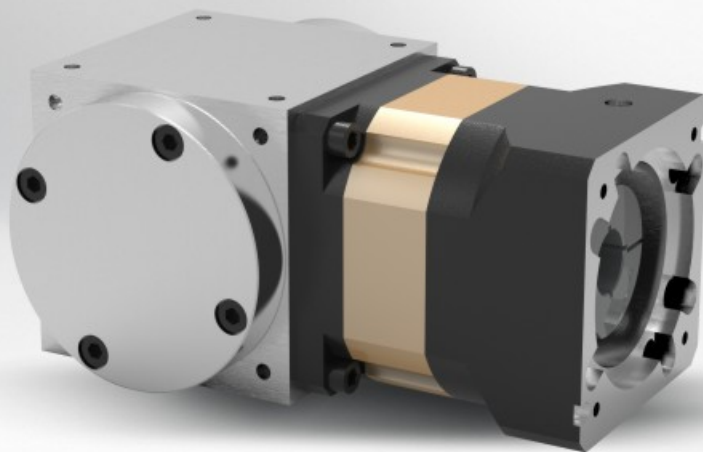


# KTFR1

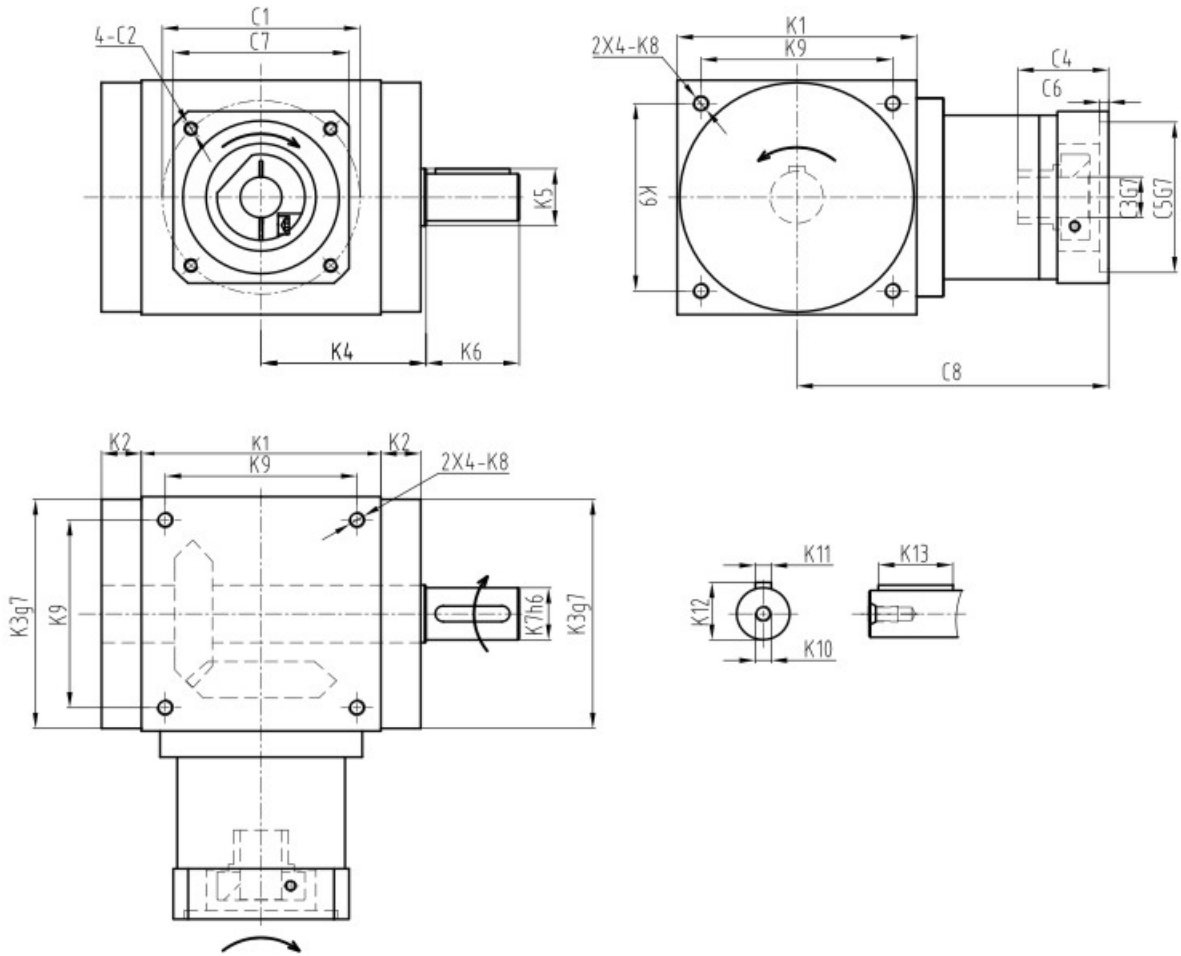
Powerful. Precision. Reliable

▶ Spiral Bevel Gearbox

Advanced Gearbox Solution



**KTFR1 Dimensions**



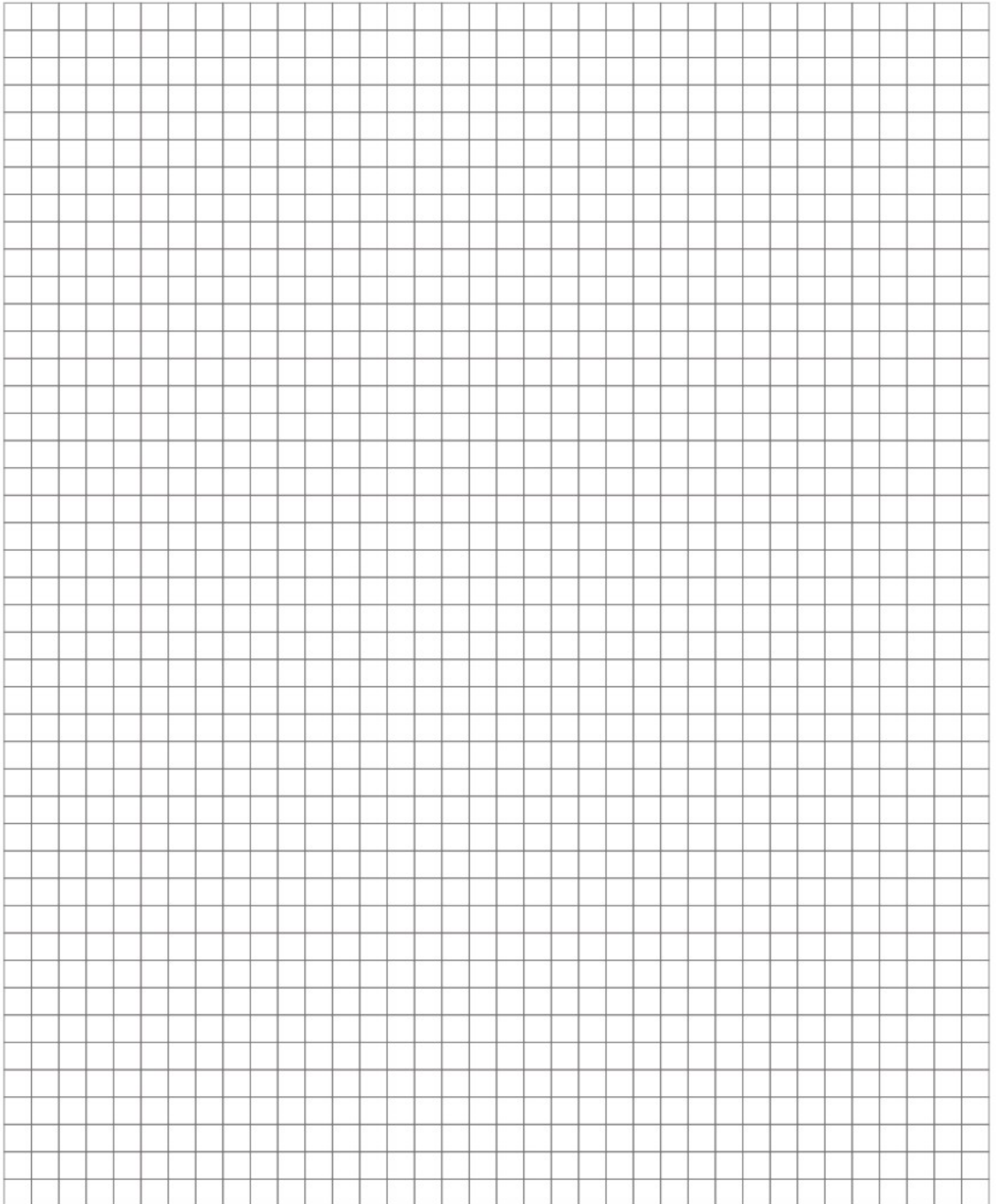
Size	KT070FR1	KT090FR1	KT110FR1	KT140FR1	KT170FR1	KT210FR1	KT240FR1
K1	75	90	110	140	170	210	240
K2	14.5	15	15	15	15	20	25
K3	Φ73	Φ88	Φ108	Φ135	Φ165	Φ205	Φ235
K4	54	62	72	87	102	127	147
K5	Φ22	Φ25	Φ30	Φ47	Φ55	Φ75	Φ85
K6	30	35	40	50	60	75	85
K7	Φ16	Φ18	Φ22	Φ32	Φ40	Φ50	Φ55
K8	M6X8	M6X15	M8X10	M10X13	M12X20	M16X25	M16X35
K9	60	72	88	110	134	170	190
K10	M5X12.5	M5X12.5	M8X19	M12X28	M16X36	M16X36	M16X36
K11	5	6	6	10	12	14	16
K12	18	20.5	24.5	35	43	53.5	59
K13	25	28	32	45	50	70	80

Size	KT070FR1	KT090FR1	KT110FR1	KT140FR1	KT170FR1	KT210FR1	KT240FR1
<b>Connection Dimensions of 1-stage Reducion Motor</b>							
C1	Φ70	Φ90	Φ90	Φ145	Φ145	Φ200	Φ215
C2	M5X12	M6X15	M6X15	M8X20	M8X20	M12X25	M12X25
C3	Φ14	Φ19	Φ19	Φ24	Φ24	Φ35	Φ42
C4	32.1	41.6	41.6	61.3	61.3	82	116
C5	Φ50	Φ70	Φ70	Φ110	Φ110	Φ114.3	Φ180
C6	6.5	6.5	6.5	8	8	8	8
C7	65	85	85	120	120	175	190
C8	93	103	143	172.2	248.5	318	355
<b>Connection Dimensions of 2-stages Reducion Motor</b>							
C1	Φ70	Φ90	Φ90	Φ145	Φ145	Φ200	Φ215
C2	M5X12	M6X15	M6X15	M8X20	M8X20	M12X25	M12X25
C3	Φ14	Φ19	Φ19	Φ24	Φ24	Φ35	Φ42
C4	32.1	41.6	41.6	61.3	61.3	82	116
C5	Φ50	Φ70	Φ70	Φ110	Φ110	Φ114.3	Φ180
C6	6.5	6.5	6.5	8	8	8	8
C7	70	85	85	120	120	175	190
C8	114.5	137	147	208	248.5	318	355
<b>Connection Dimensions of 3-stages Reducion Motor</b>							
C1	Φ70	Φ90	Φ90	Φ145	Φ145	Φ200	Φ200
C2	M5X12	M6X15	M6X15	M8X20	M8X20	M12X25	M12X25
C3	Φ14	Φ19	Φ19	Φ24	Φ24	Φ35	Φ35
C4	32.1	41.6	41.6	61.3	61.3	82	82
C5	Φ50	Φ70	Φ70	Φ110	Φ110	Φ114.3	Φ114.3
C6	6.5	6.5	6.5	8	8	8	8
C7	65	85	85	120	120	175	175
C8	138.2	168	178.3	249.8	309.5	358	399

The dimensions modified as per the applied motor flanges.

You can get the specific gearbox drawing solution by KDP(Kofon Design Programme) on line from our website: [www.kofon-motion.com](http://www.kofon-motion.com)

Technical Memo



Technical Memo

