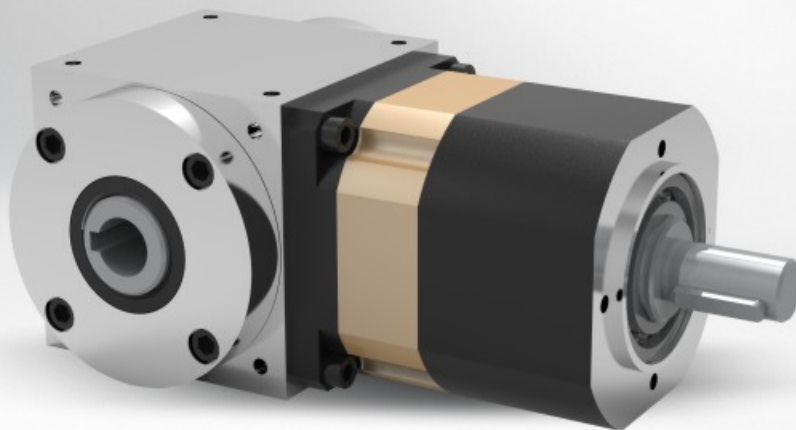


KTH

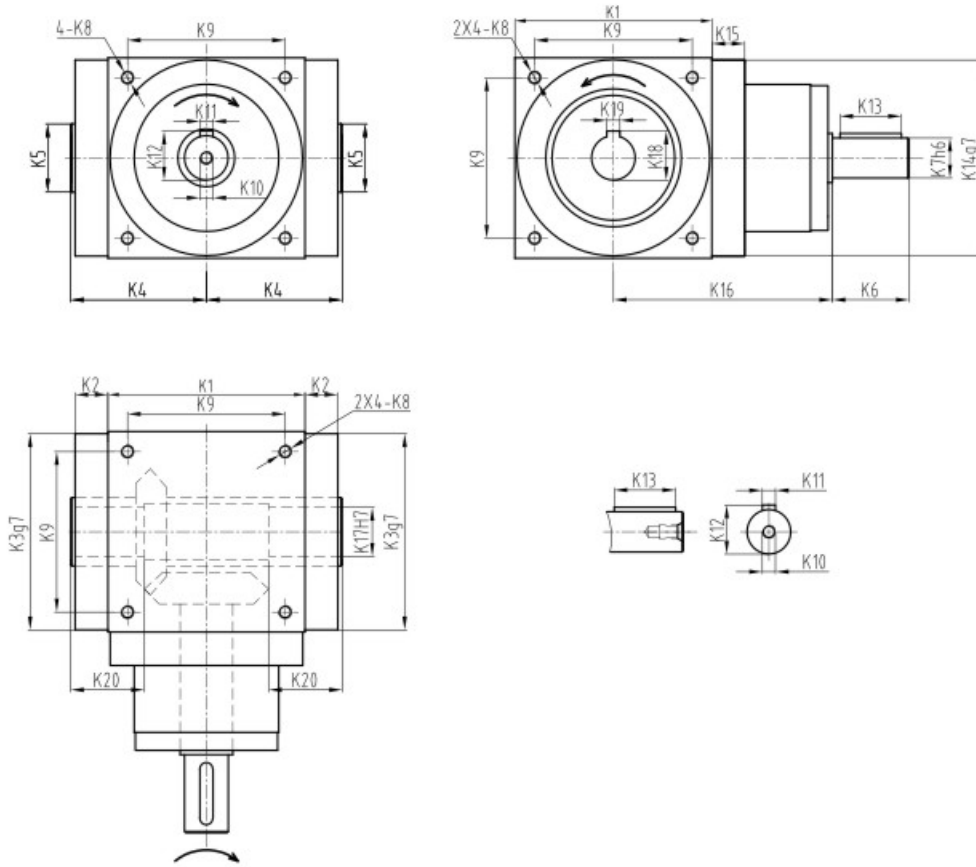
Powerful. Precision. Reliable

▶ Spiral Bevel Gearbox

Advanced Gearbox Solution

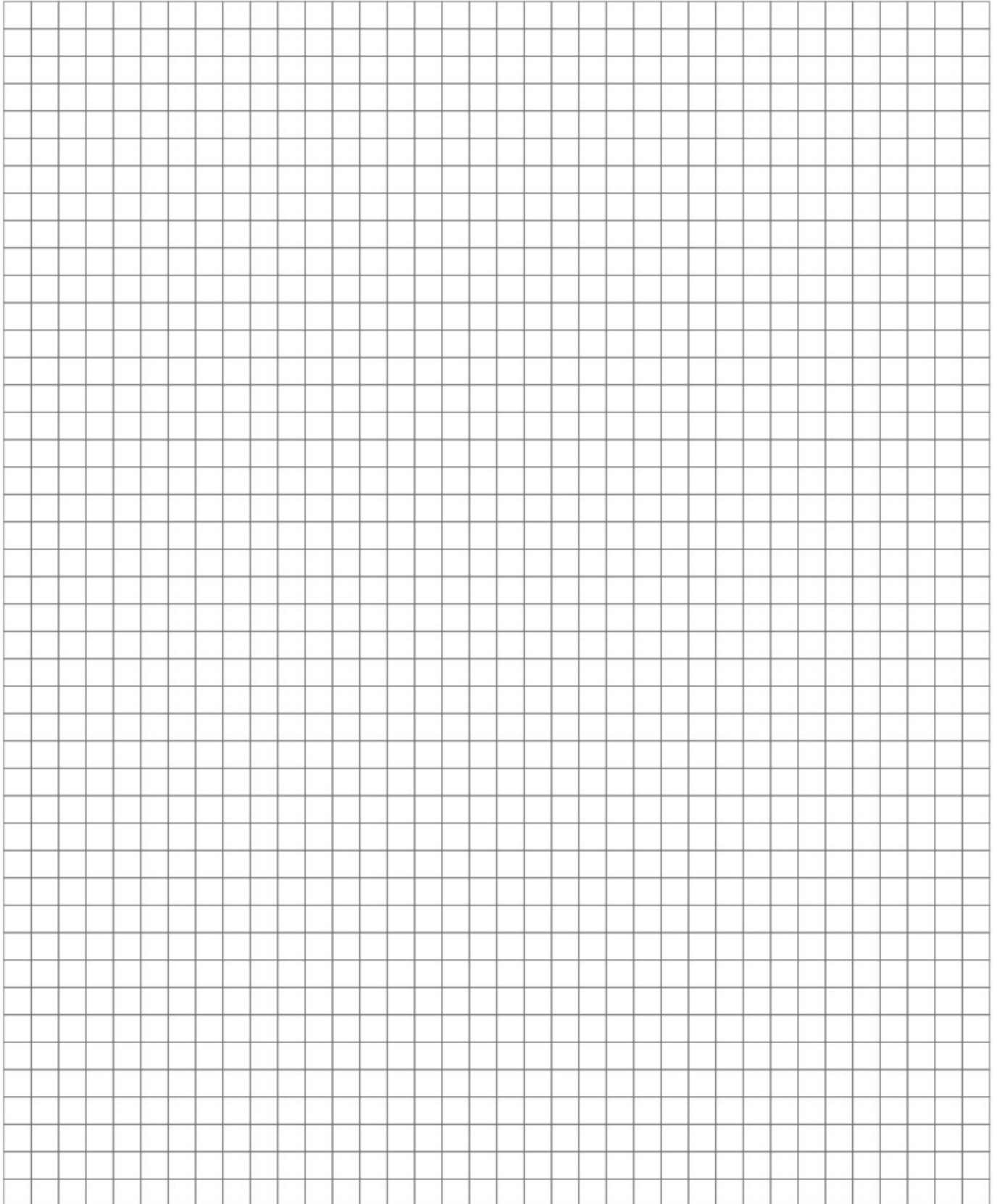


KTH Dimensions



Size	KT070H	KT090H	KT110H	KT140H	KT170H	KT210H	KT240H
K1	75	90	110	140	170	210	240
K2	14.5	15	15	15	15	20	25
K3	Φ73	Φ88	Φ108	Φ135	Φ165	Φ205	Φ235
K4	54	62	72	87	102	127	147
K5	Φ22	Φ28	Φ33	Φ47	Φ55	Φ75	Φ85
K6	30	35	40	50	60	75	85
K7	Φ10	Φ16	Φ18	Φ32	Φ40	Φ50	Φ55
K8	M6X8	M6X15	M8X10	M10X13	M12X20	M16X25	Φ16X35
K9	60	72	88	110	134	170	190
K10	M5X12.5	M5X12.5	M8X19	M12X28	M16X36	M16X36	M16X36
K11	5	6	6	10	12	14	16
K12	18	20.5	24.5	35	43	53.5	59
K13	25	28	32	45	50	70	80
K14	73	88	108	135	165	205	235
K15	15	15	15	15	15	20	25
K16	90	100	115	130	155	195	225
K17	Φ12	Φ18	Φ22	Φ32	Φ40	Φ50	Φ55
K18	5	6	6	10	12	14	16
K19	16.3	20.8	24.8	35.3	43.3	53.8	59.3
K20	32	35	40	50	55	65	80

Technical Memo



Technical Memo

A large grid of graph paper, consisting of 20 columns and 30 rows of small squares, intended for technical drawing or calculations.