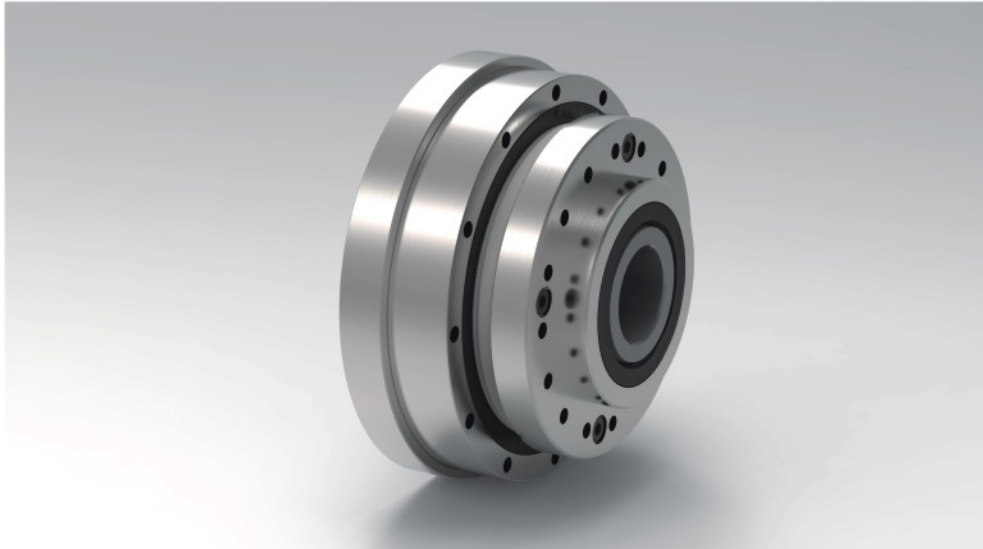


## Strain Wave Gear KB-HO Series Box Unit Hollow shaft open Flexspline



Strain Wave Gear KB-HO Series Box Unit  
Hollow shaft open Flexspline

### Advantages

- High positioning and rotational accuracy
- High repeatability accuracy
- High torque
- Super compact design
- Backlash free
- Long service life
- High torsional stiffness
- High efficiency
- Simple installation
- Flexible for application design

### Main Applications

- Robots
- High Precision Tooling Machine
- High Precision Testing Equipment
- Medical Equipment
- Optical Equipment
- Analytical and Testing Equipment
- Semiconductor Manufacturing Systems
- Packing Machines

### Ordering Code

Gear Series	Transmission Type	Gear Size		Ratios				Special Design	
KB	HO	14	50	80	100			as per customers' special requirements	
		17	50	80	100	120			
		20	50	80	100	120	160		
		25	50	80	100	120	160		
		32	50	80	100	120	160		
		40	50	80	100	120	160		
		45	50	80	100	120	160		
		50		80	100	120	160		
Ordering Code									
KB-HO		-	25	-	100			-	SP

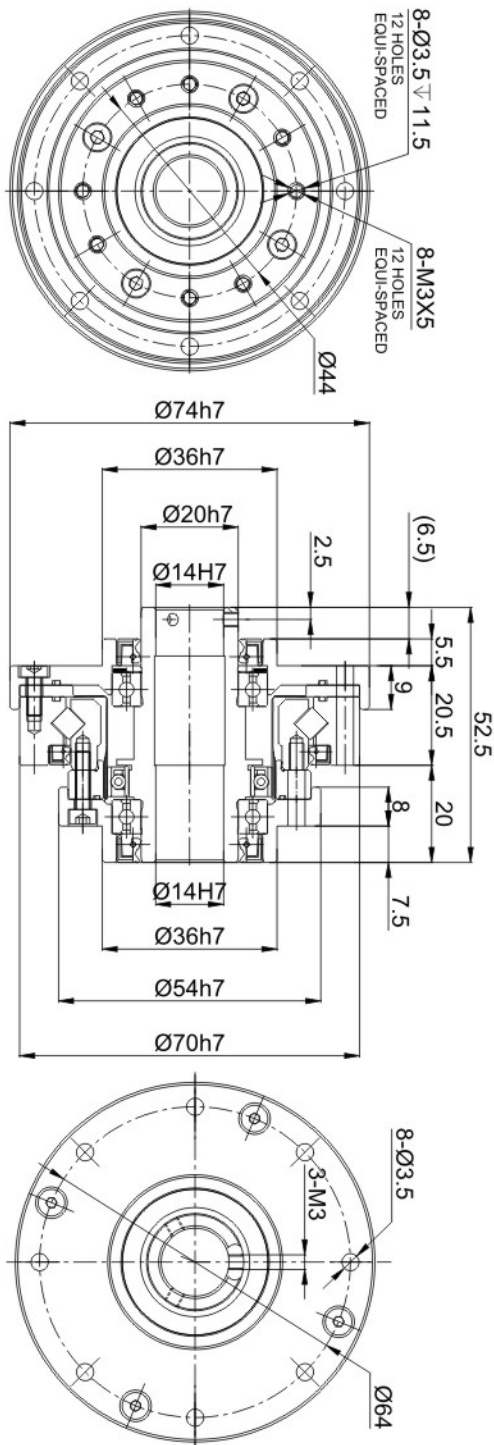
### Technical Specifications

Series	Size	Ratio	Max Output Torque	Average Output Torque	Rated Output Torque at rated speed 2000 rpm	Emergency Stop Torque	Max Input Speed	Average Input Speed	Moment of Inertia	Weight
			Nm	Nm	Nm	Nm	rpm	rpm	kgm <sup>2</sup>	kg
KB-HO	14	50	18	11	7,8	47	8500	3500	0.091x10 <sup>-4</sup>	0.71
		80	23	6,9	5,4	35				
		100	28	11	7,8	54				
	17	50	34	26	16	70	7300	3500	0.193x10 <sup>-4</sup>	1.00
		80	43	27	22	87				
		100	54	39	24	110				
		120	54	39	24	86				
	20	50	56	34	25	98	6500	3500	0.404x10 <sup>-4</sup>	1.38
		80	74	47	34	127				
		100	82	49	40	147				
		120	87	49	40	147				
	25	50	98	55	39	186	5600	3500	1.07x10 <sup>-4</sup>	2.1
		80	137	87	63	255				
		100	157	108	67	284				
		120	167	108	67	304				
	32	50	216	108	76	382	4800	3500	2.85x10 <sup>-4</sup>	4.5
		80	304	167	118	568				
		100	333	216	137	647				
		120	353	216	137	686				
		160	372	216	137	686				
	40	50	402	196	137	686	4000	3000	9.28x10 <sup>-4</sup>	7.7
		80	519	284	206	980				
		100	568	372	265	1080				
		120	617	451	294	1180				
45	50	502	265	176	950	4500	2500	13.8x10 <sup>-4</sup>	10.1	
	80	706	395	315	1280					
	100	760	505	355	1580					
	120	822	622	405	1880					
	160	883	633	405	1890					
50	80	941	521	372	1860	4500	2500	57.2x10 <sup>-4</sup>	14.5	
	100	982	656	471	2050					
	120	1090	815	533	2055					
		160	1190	843	534	2250				

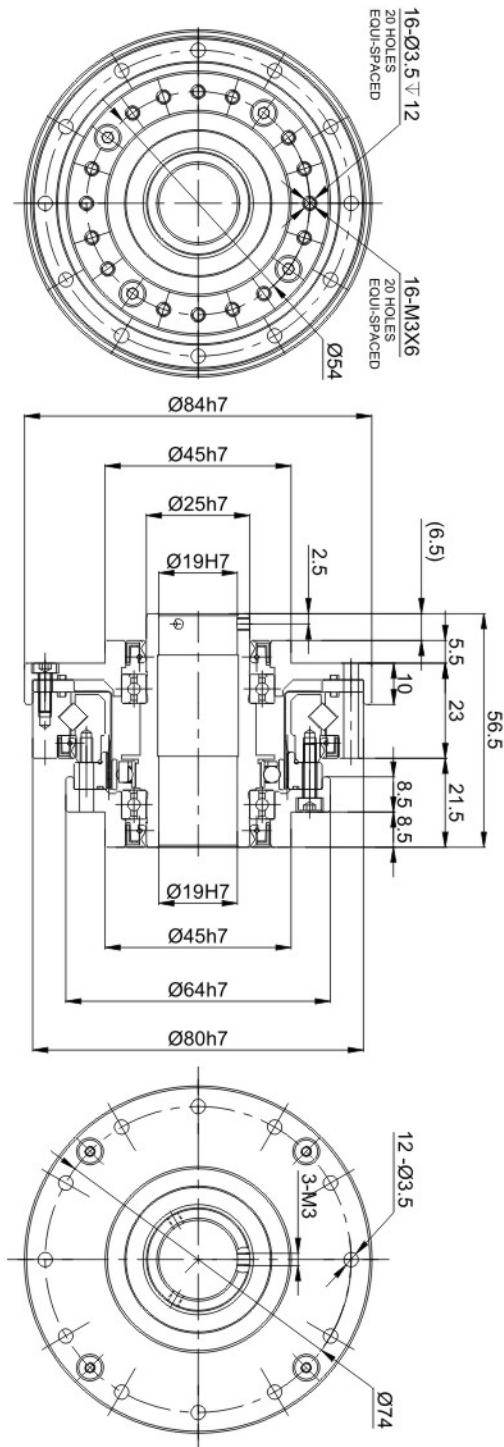
Strain Wave Gear KB-HO Series Box Unit  
Hollow shaft open Flexspline

## Gear Dimensions

### Box Unit KB-HO-14

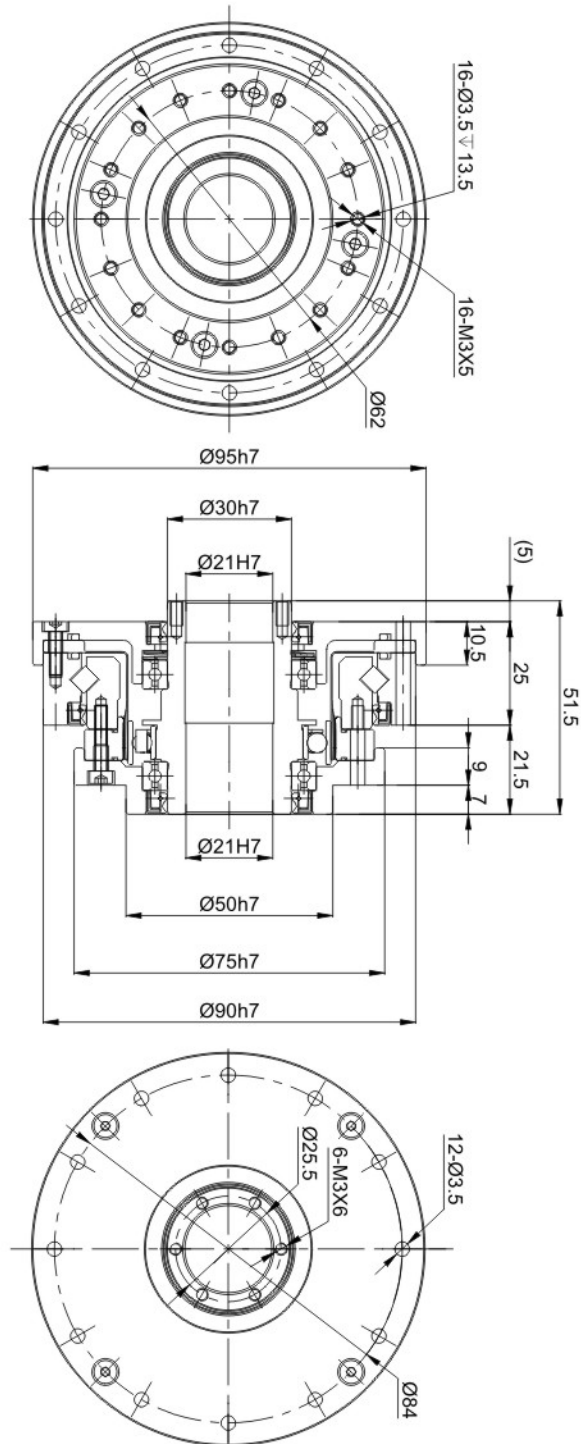


Box Unit KB-HO-17

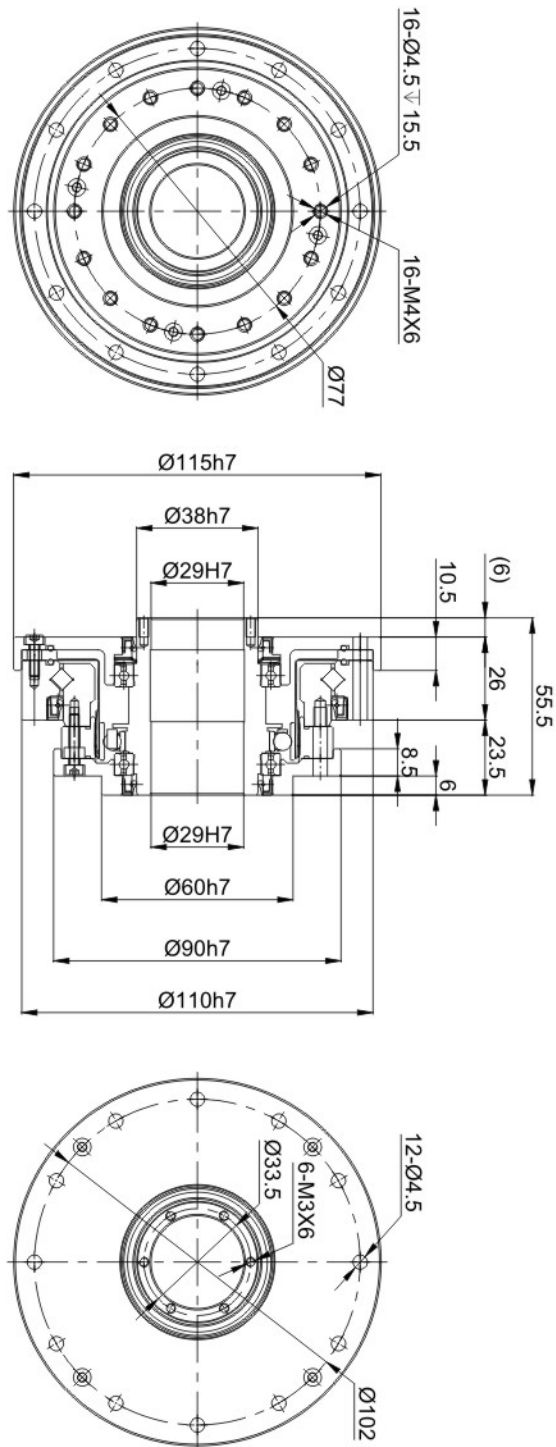


## Gear Dimensions

### Box Unit KB-HO-20

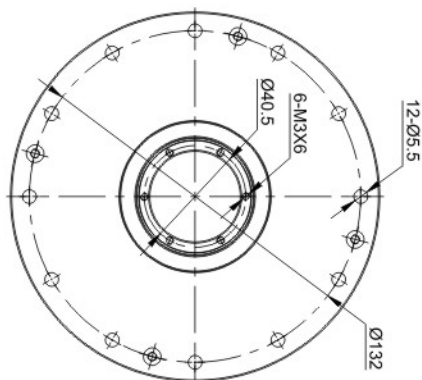
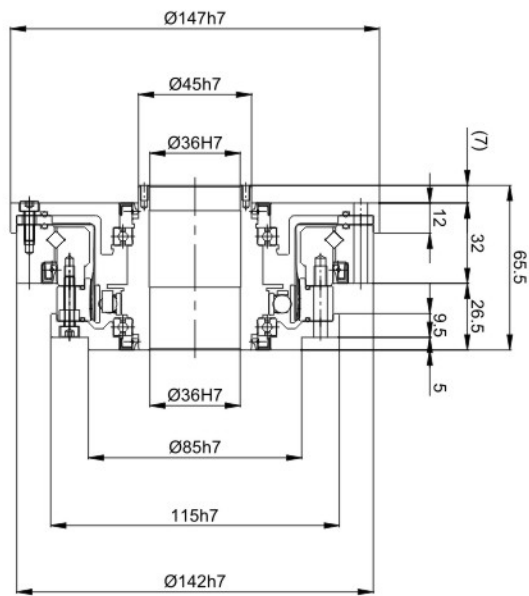
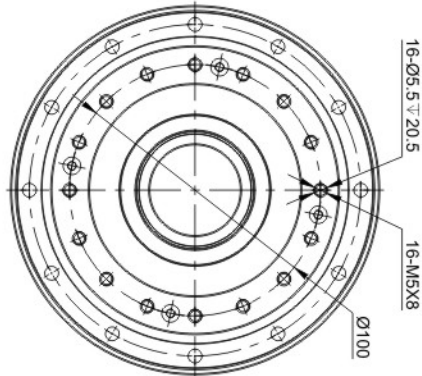


Box Unit KB-HO-25

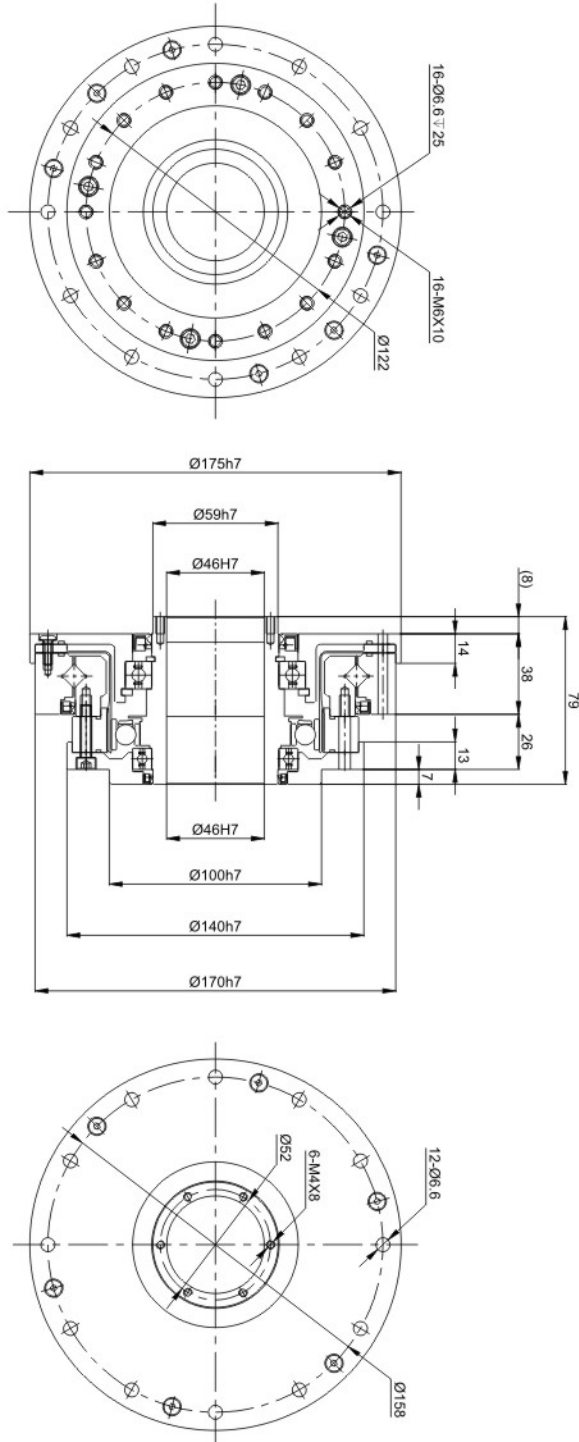


## Gear Dimensions

### Box Unit KB-HO-32



Box Unit KB-HO-40

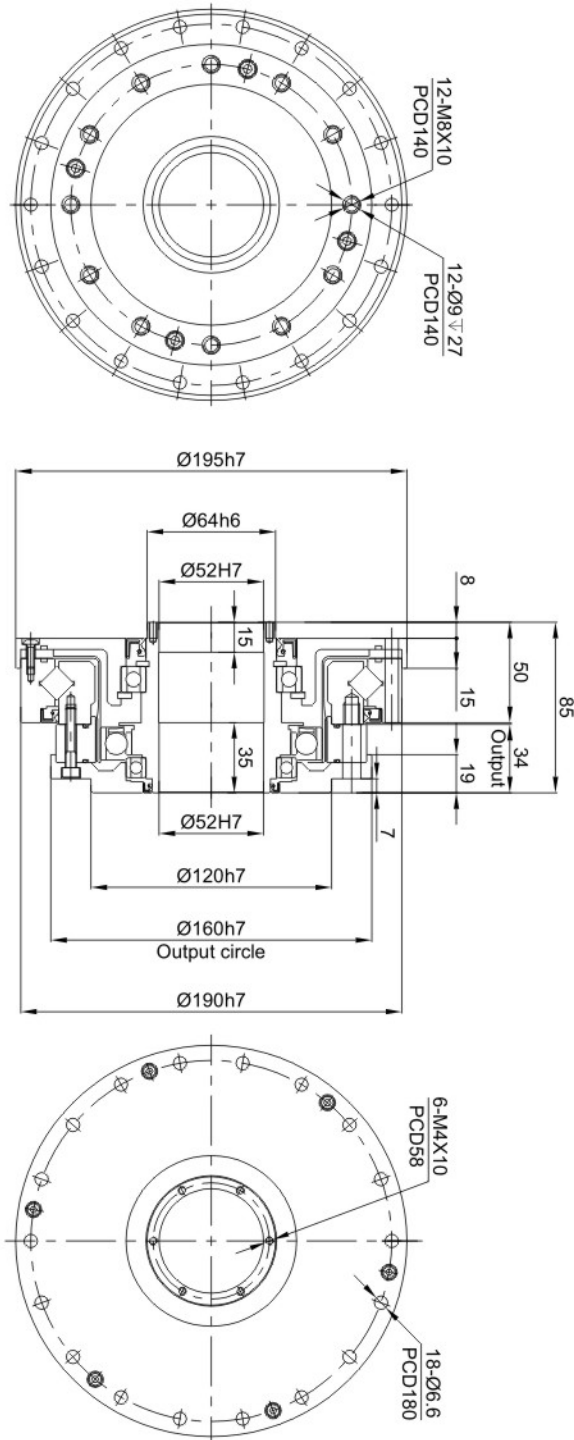


Strain Wave Gear KB-HO Series Box Unit  
Hollow shaft open Flexspline

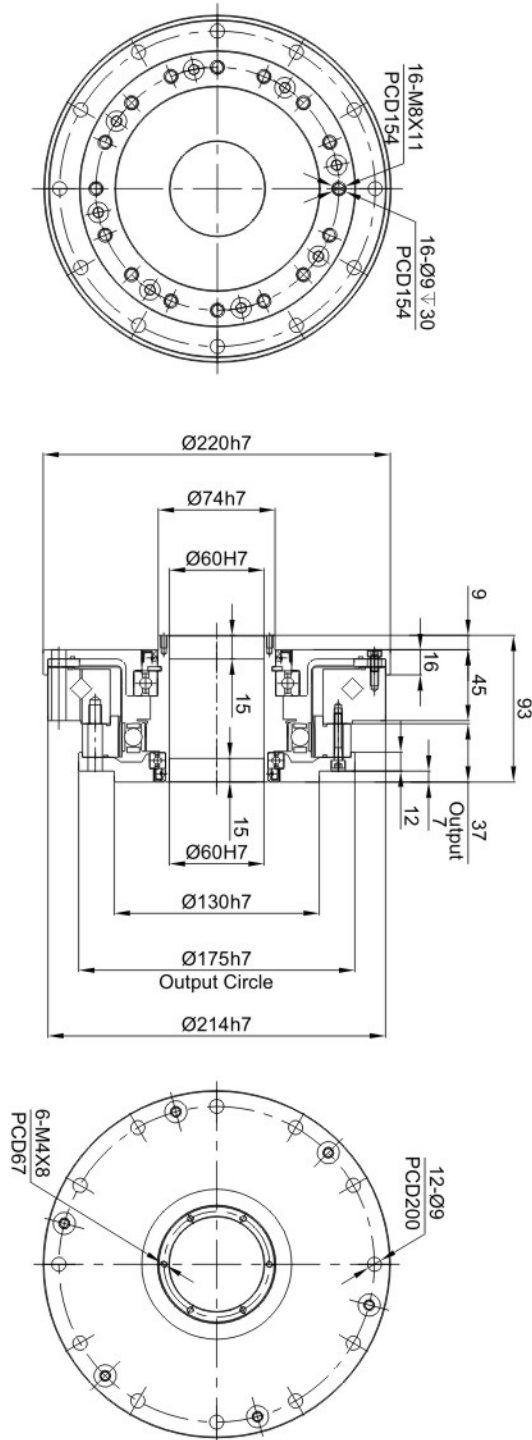


## Gear Dimensions

### Box Unit KB-HO-45



Box Unit KB-HO-50



Strain Wave Gear KB-HO Series Box Unit  
Hollow shaft open Flexspline



Technical Memo

A large grid of graph paper, consisting of 20 columns and 30 rows of small squares, intended for technical drawing or notes.

Strain Wave Gear KB-HQ Series Box Unit  
Hollow shaft open Flexspline