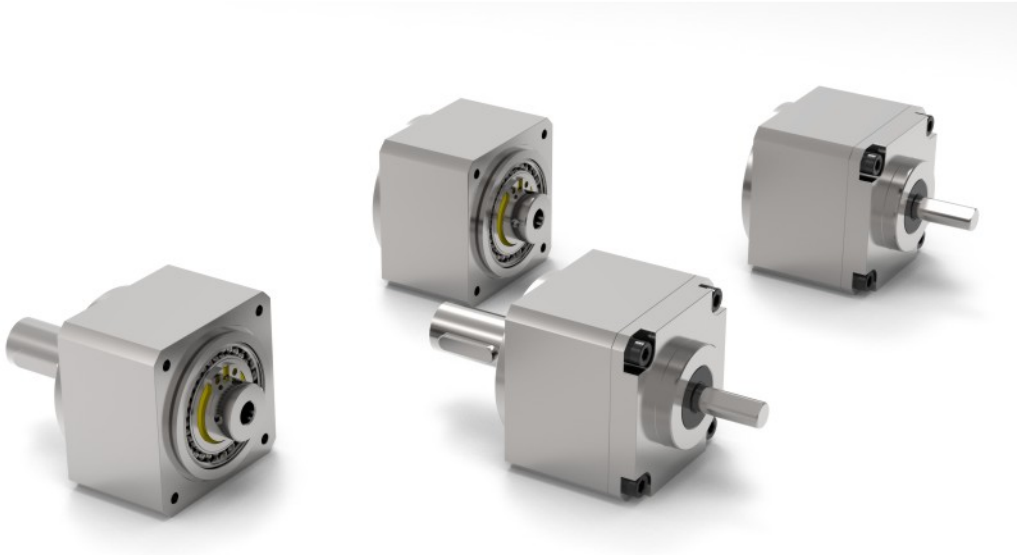


Strain Wave Gear Box Unit Series (Size 8) Hollow shaft open Flexspline



Advantages

- High positioning and rotational accuracy
- High repeatability accuracy
- High torque
- Super compact design
- Backlash free
- Long service life
- High torsional stiffness
- High efficiency
- Simple installation
- Flexible for application design

Main Applications

- Robots
- High Precision Tooling Machine
- High Precision Testing Equipment
- Medical Equipment
- Optical Equipment
- Analytical and Testing Equipment
- Semiconductor Manufacturing Systems
- Packing Machines

Ordering Code

Gear Series	Transmission Type	Gear Size		Ratios			Special Design
KB	HF	8	30	50	100	as per customers' special requirements	
KB	SF	8	30	50	100		
KB	HS	8	30	50	100		
KB	SS	8	30	50	100		
Ordering Code							
KB-HF		—	8	—	100	—	SP

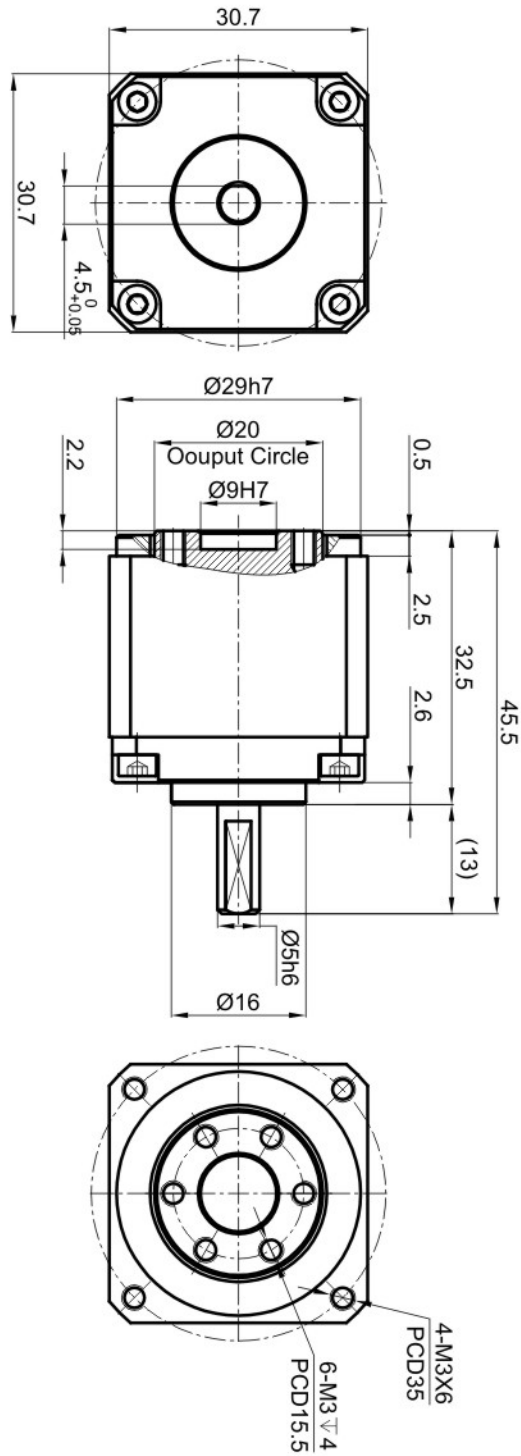
Technical Specifications

Series	Size	Ratio	Max Output Torque	Average Output Torque	Rated Output Torque at rated speed 2000 rpm	Emergency Stop Torque	Max Input Speed	Average Input Speed	Moment of Inertia	Weight
			Nm	Nm	Nm	Nm				
KB-HF	8	30	1.8	1.4	0.9	3.3	8500	3500	0.23x10 ⁻⁶	0.101
KB-SF		50	3.3	2.3	1.8	6.6			0.2x10 ⁻⁶	0.12
KB-HS		100	4.8	3.3	2.4	9			0.23x10 ⁻⁶	0.115
KB-SS		30	1.8	1.4	0.9	3.3			0.2x10 ⁻⁶	0.13

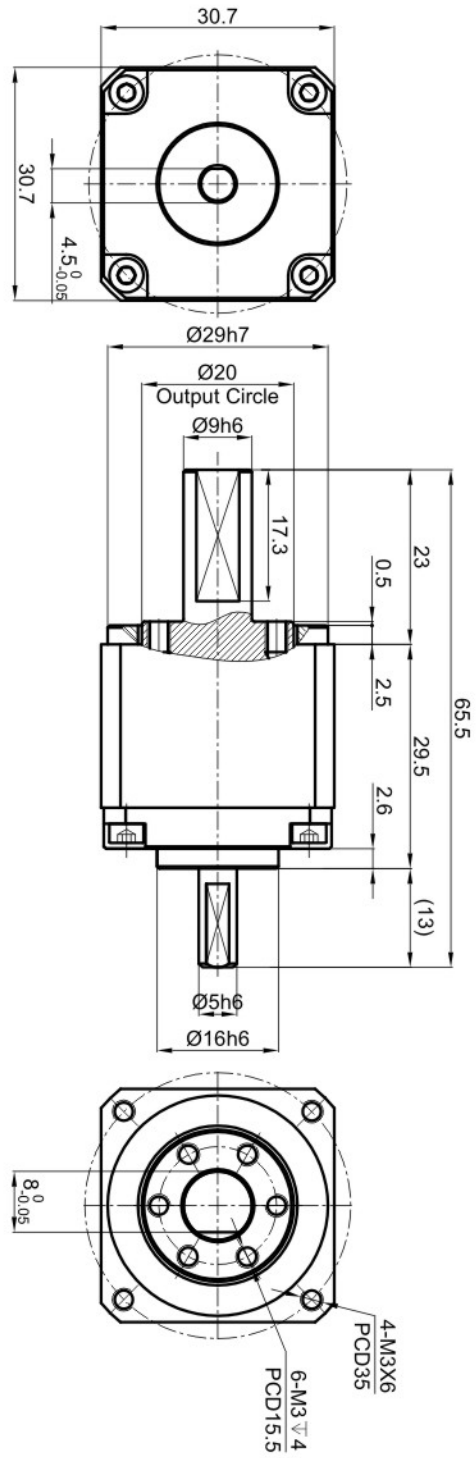
Strain Wave Gear Box Unit Series (Size 8)
Solid Shaft Open Flexspline

Gear Dimensions

Box Unit KB-SF-8

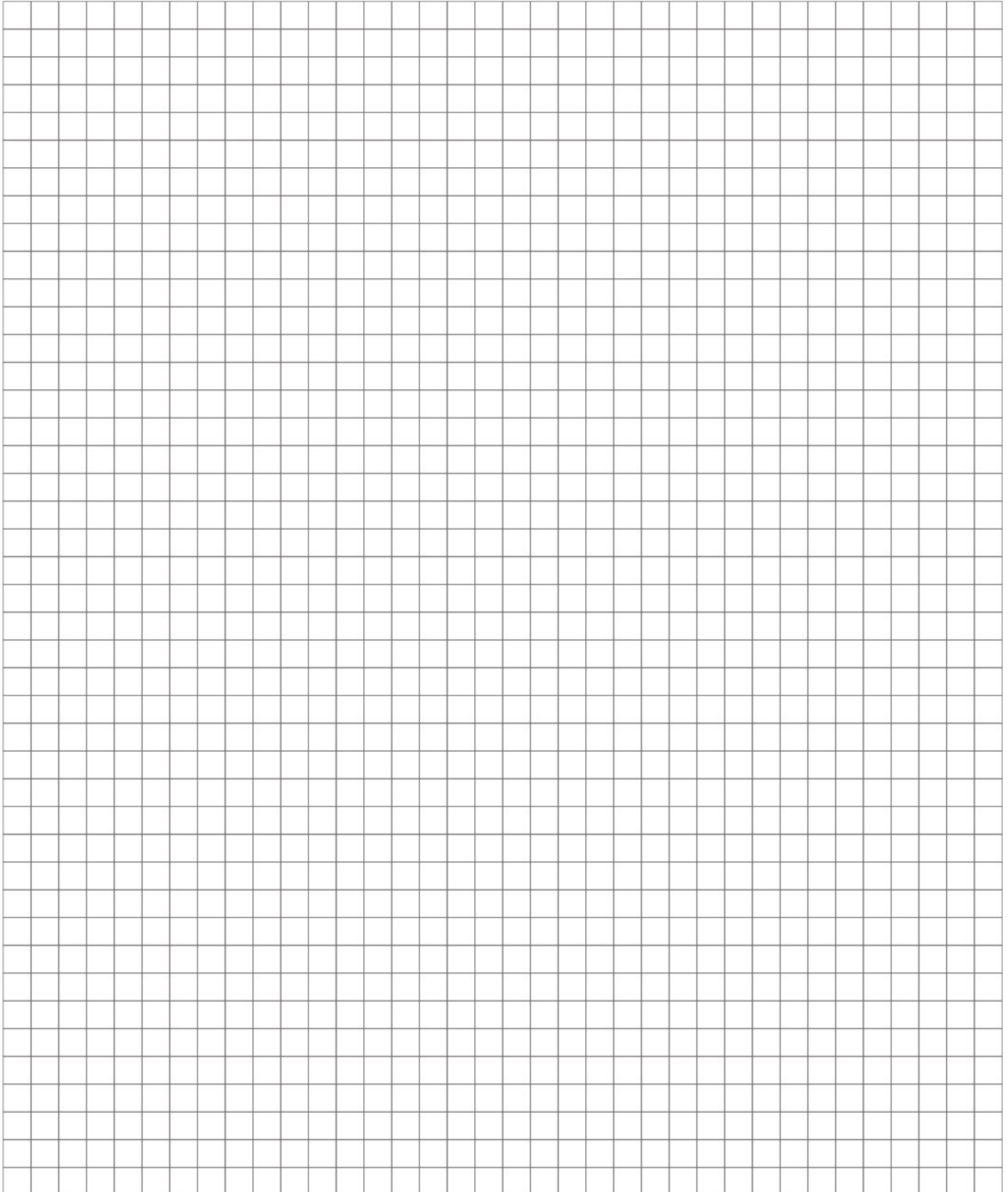


Box Unit KB-SS-8



Strain Wave Gear Box Unit Series (Size 8)
Solid Shaft Open Flexspline

Technical Memo



Strain Wave Gear Box Unit Series (Size 8)
Solid Shaft Open Flexpline