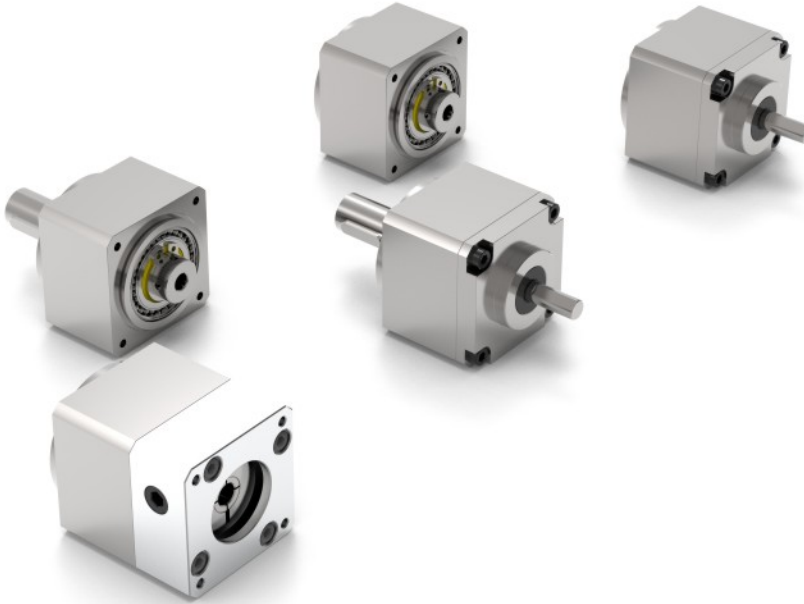


Strain Wave Gear Box Unit Series (Size 11) Hollow shaft open Flexspline



Advantages

- High positioning and rotational accuracy
- High repeatability accuracy
- High torque
- Super compact design
- Backlash free
- Long service life
- High torsional stiffness
- High efficiency
- Simple installation
- Flexible for application design

Main Applications

- Robots
- High Precision Tooling Machine
- High Precision Testing Equipment
- Medical Equipment
- Optical Equipment
- Analytical and Testing Equipment
- Semiconductor Manufacturing Systems
- Packing Machines

Ordering Code

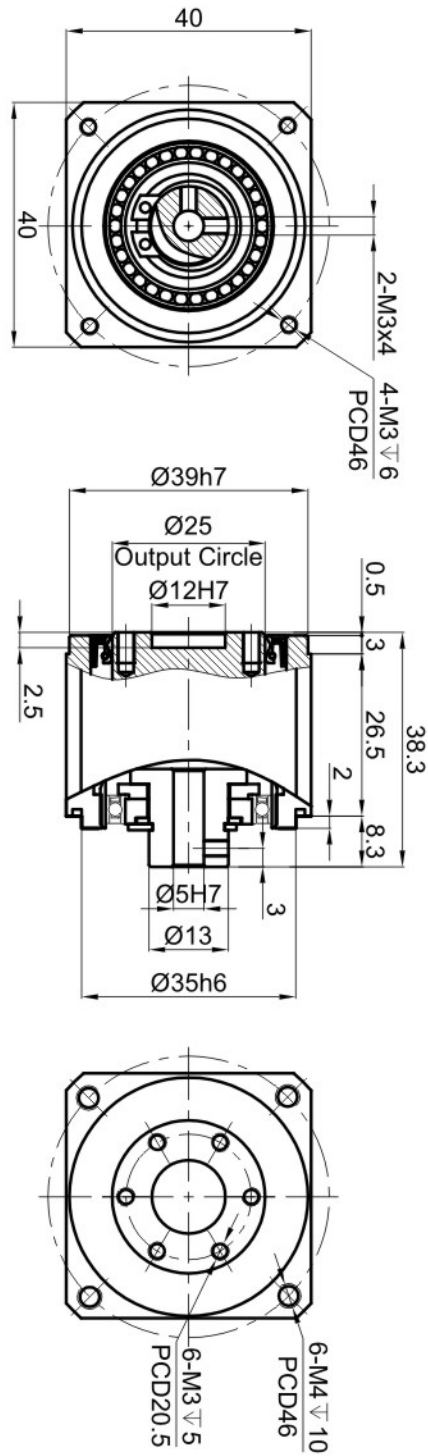
Gear Series	Transmission Type	Gear Size	Ratios			Special Design
KB	HF	11	30	50	100	as per customers' special requirements
KB	SF	11	30	50	100	
KB	HS	11	30	50	100	
KB	SS	11	30	50	100	
Ordering Code						
KB-HF		—	11	—	100	— SP

Technical Specifications

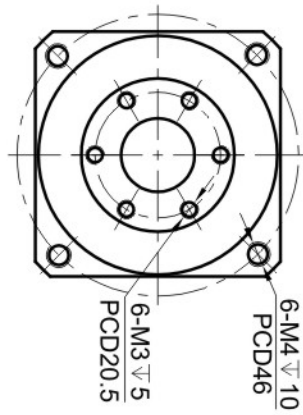
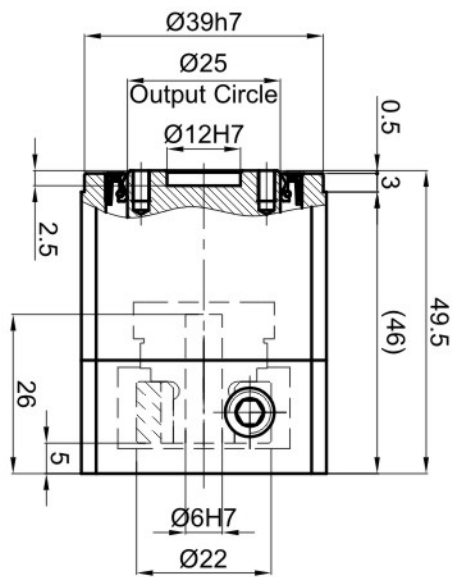
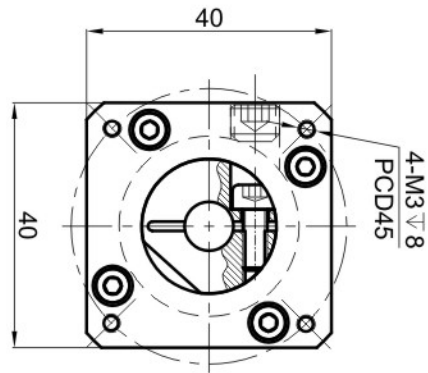
Series	Size	Ratio	Max Output Torque	Average Output Torque	Rated Output Torque at rated speed 2000 rpm	Emergency Stop Torque	Max Input Speed	Average Input Speed	Moment of Inertia	Weight
			Nm	Nm	Nm	Nm	rpm	rpm	kgm ²	kg
KB-HF	11	30	4.5	3.4	2.2	8.5	8501	3501	1.33x10 ⁻⁶ (I)	0.275(I)
									4.2x10 ⁻⁶ (II)	0.363(II)
KB-SF	11	50	8.3	5.5	3.5	17			2.2x10 ⁻⁶	0.357
KB-HS	11	50	8.3	5.5	3.5	17	8501	3501	1.33x10 ⁻⁶ (I)	0.299(I)
									4.2x10 ⁻⁶ (II)	0.387(II)
KB-SS	11	100	11	8.9	5	25			2.2x10 ⁻⁶	0.384

Gear Dimensions

Box Unit KB-HF-11-I

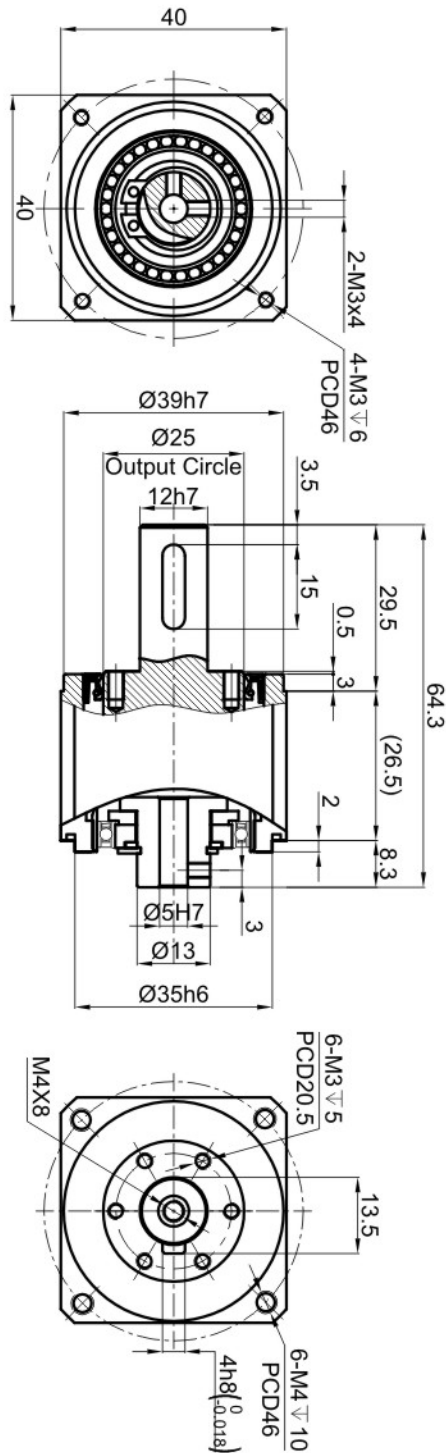


Box Unit KB-HF-11-II



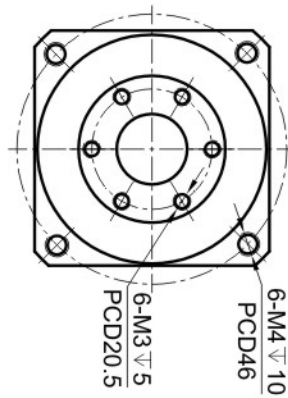
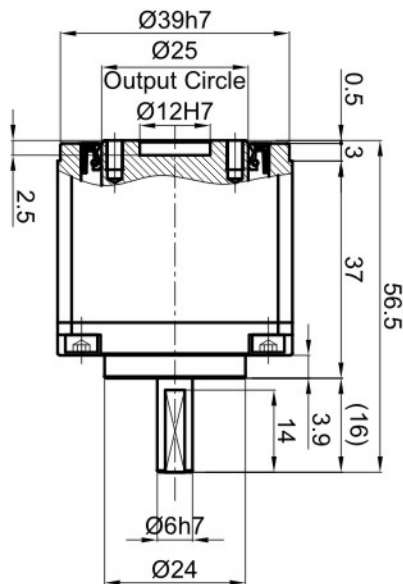
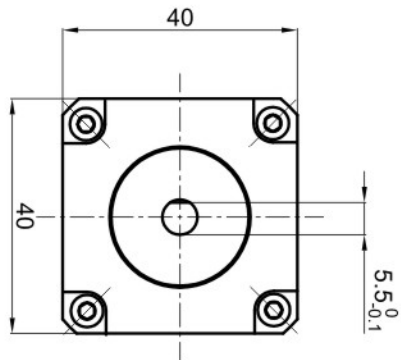
Gear Dimensions

Box Unit KB-HS-11-I

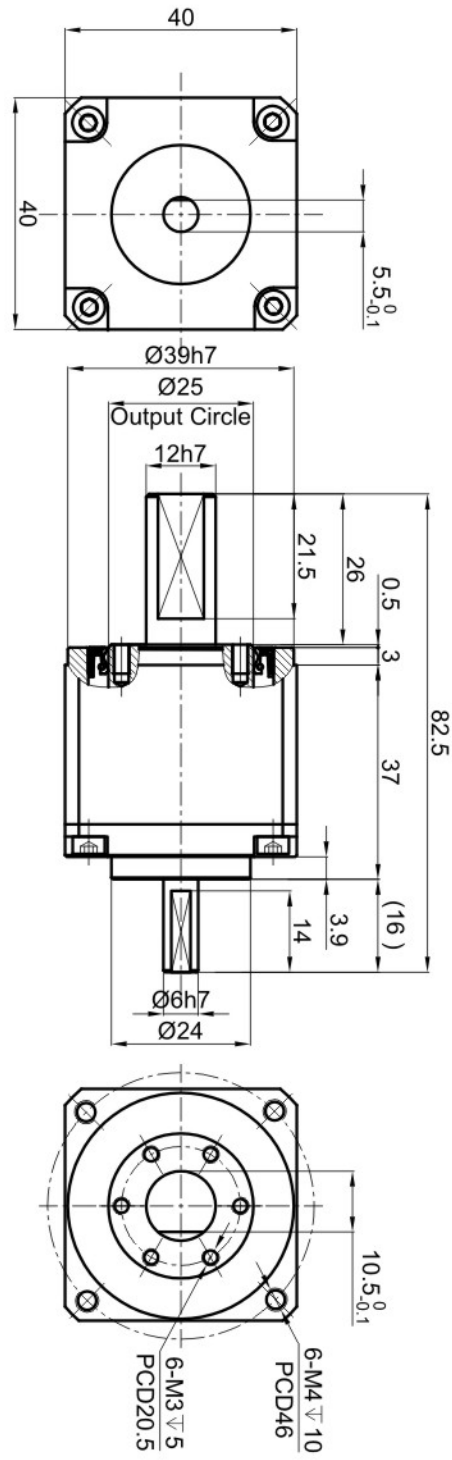


Gear Dimensions

Box Unit KB-SF-11



Box Unit KB-SS-11



Technical Memo

