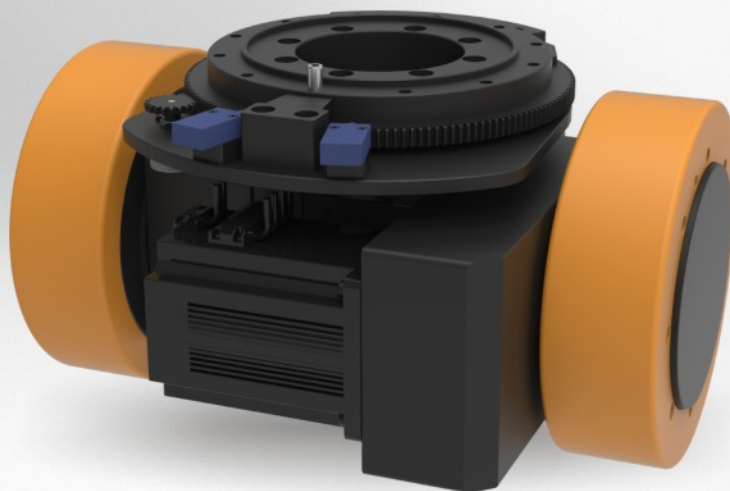


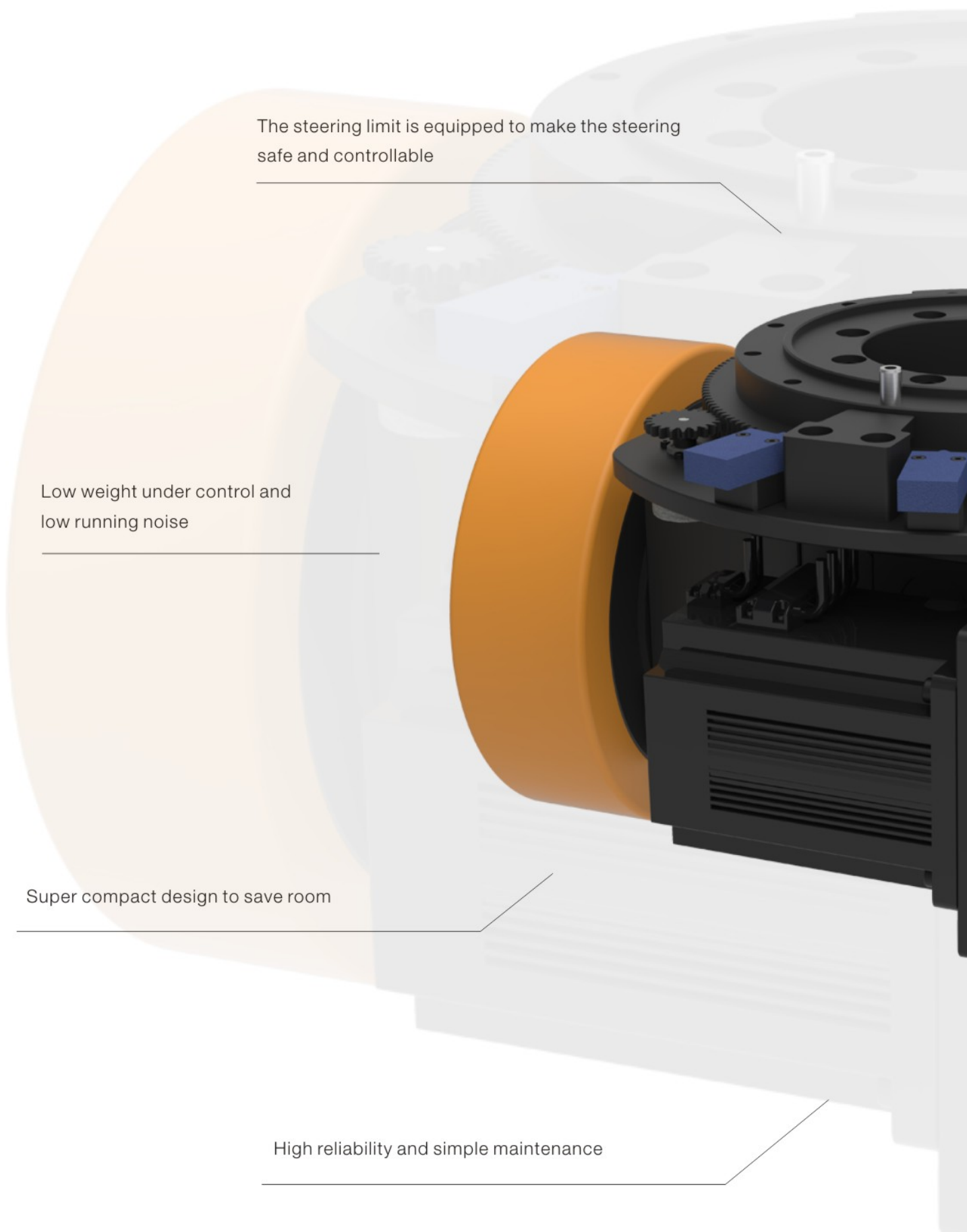
KGV

Powerful. Compact. Reliable

- ▶ KGV Differential Speed Wheel

KGV Premium Solution



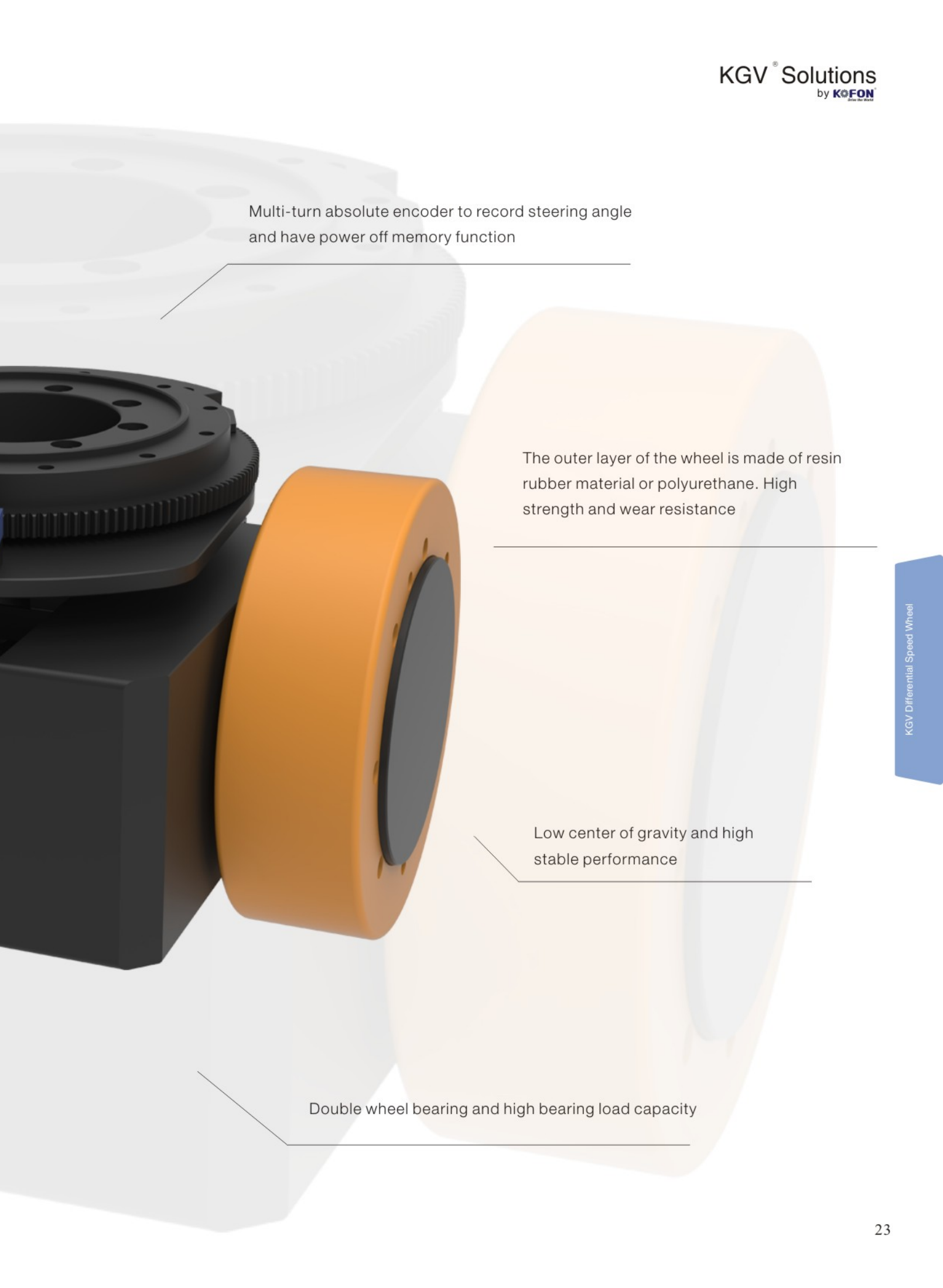


The steering limit is equipped to make the steering safe and controllable

Low weight under control and low running noise

Super compact design to save room

High reliability and simple maintenance



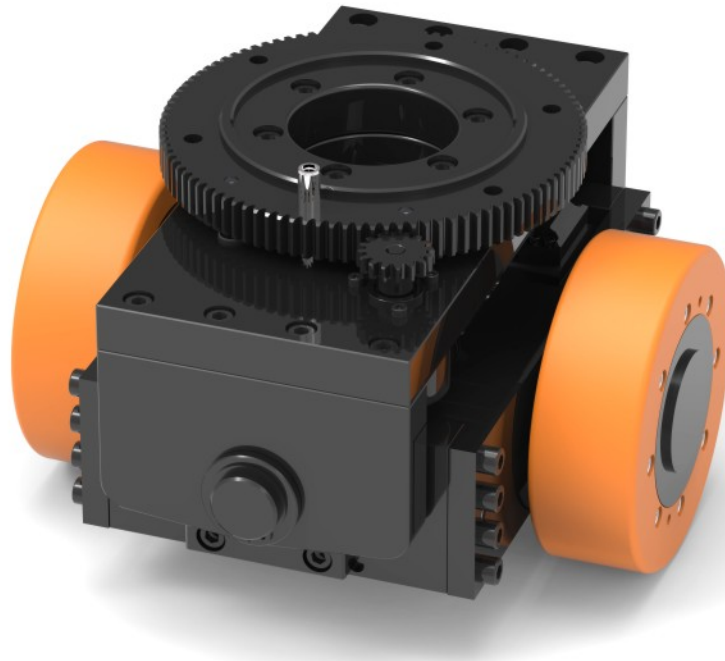
Multi-turn absolute encoder to record steering angle and have power off memory function

The outer layer of the wheel is made of resin rubber material or polyurethane. High strength and wear resistance

Low center of gravity and high stable performance

Double wheel bearing and high bearing load capacity

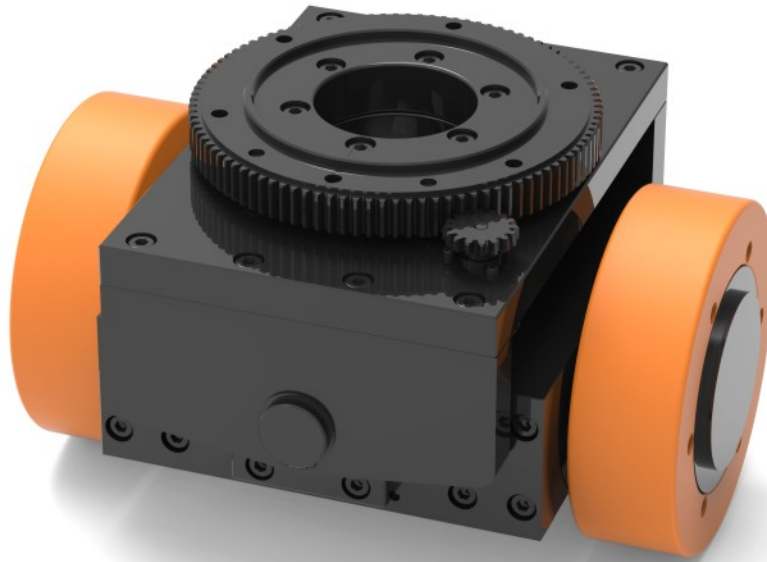
KGV120D-18-400W-A



KGV Differential Speed Wheel

| Model | | KGV120D-18-400W-A | |
|-----------------------------|----------------------|--------------------|--------------------|
| Machine Parameters | | Reducer Parameters | |
| Drive Wheel Diameter | 120 mm | Speed Ratio | 18 |
| Rated Load | 800 kg | Rated Torque | 42 N.m |
| Max. Speed | 62.8 m/min | Max. Torque | 84 N.m |
| Turning Diameter | 270 mm | Lubrication Method | Grease Lubrication |
| Mechanical Limit Angle | ±130° | Motor Parameters | |
| Max. Yaw Angle | ±5° | Rated Power | 400 W |
| Drive Wheel Material | Polyurethane | Rated Torque | 1.27 N.m |
| Steering Encoder Model | BRT38-COM4096D16-RT1 | Voltage | 48V DC |
| Steering Encoder Gear Ratio | 16:100 | Rated Current | 10.6 A |
| Protection Grade | IP54 | Rated Speed | 3000 r/min |
| Operation Temperature | -25C°~+90C° | With Brake Or Not | Yes |

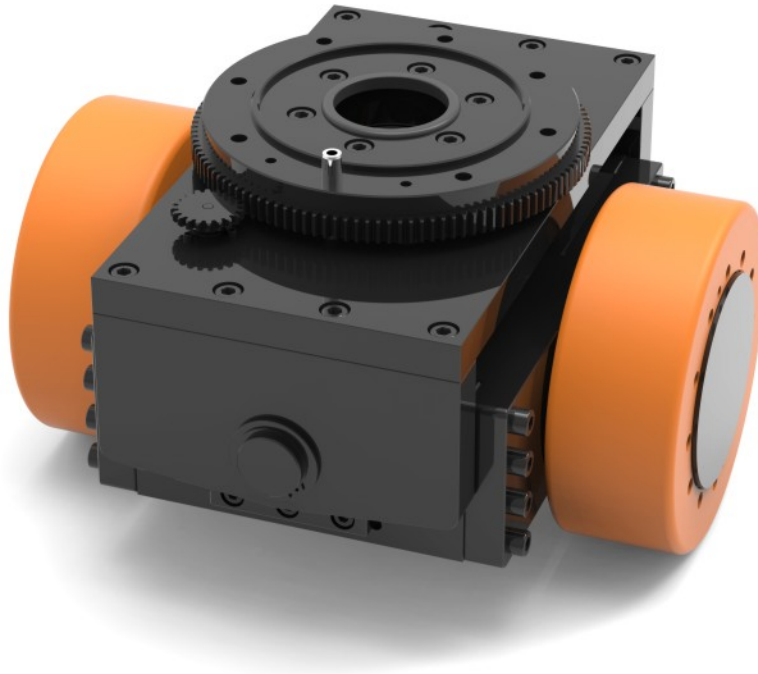
KGV180D-24-750W-A



KGV Differential Speed Wheel

| Model | | KGV180D-24-750W-A | |
|-----------------------------|----------------------|--------------------|--------------------|
| Machine Parameters | | Reducer Parameters | |
| Drive Wheel Diameter | 180 mm | Speed Ratio | 24 |
| Rated Load | 1500 kg | Rated Torque | 100 N.m |
| Max. Speed | 70.65 m/min | Max. Torque | 200 N.m |
| Turning Diameter | 390 mm | Lubrication Method | Grease Lubrication |
| Mechanical Limit Angle | ±135° | Motor Parameters | |
| Max. Yaw Angle | ±5° | Rated Power | 750 W |
| Drive Wheel Material | Polyurethane | Rated Torque | 2.39 N.m |
| Steering Encoder Model | BRT38-COM4096D16-RT1 | Voltage | 48V DC |
| Steering Encoder Gear Ratio | 20:100 | Rated Current | 19.9 A |
| Protection Grade | IP54 | Rated Speed | 3000 r/min |
| Operation Temperature | -25C°~+90C° | With Brake Or Not | Yes |

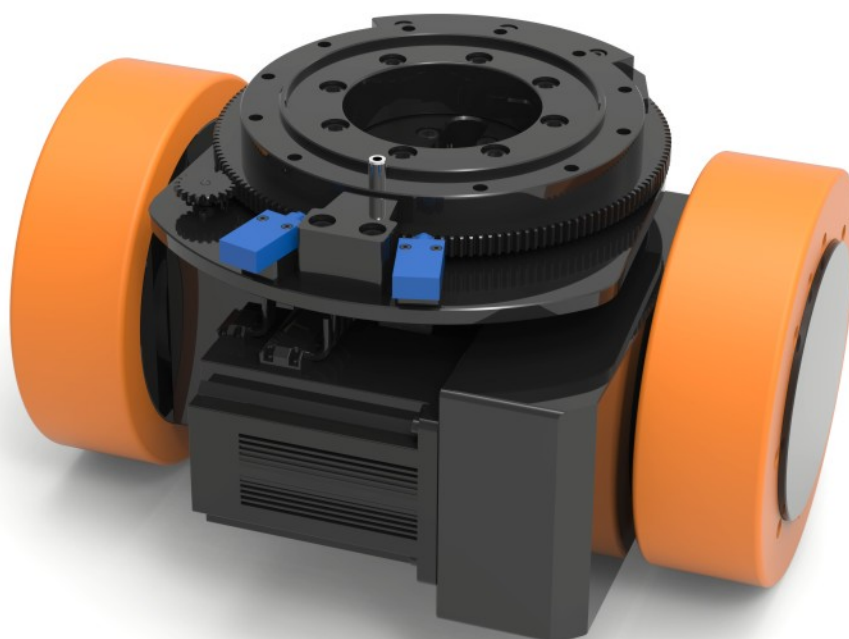
KGV220D-36-1000W-A



KGV Differential Speed Wheel

| Model | | KGV220D-36-1000W-A | |
|-----------------------------|----------------------|--------------------|--------------------|
| Machine Parameters | | Reducer Parameters | |
| Drive Wheel Diameter | 220 mm | Speed Ratio | 36 |
| Rated Load | 2000 kg | Rated Torque | 200 N.m |
| Max. Speed | 57.6 m/min | Max. Torque | 400 N.m |
| Turning Diameter | 480 mm | Lubrication Method | Grease Lubrication |
| Mechanical Limit Angle | ±135° | Motor Parameters | |
| Max. Yaw Angle | ±5° | Rated Power | 1000 W |
| Drive Wheel Material | Polyurethane | Rated Torque | 3.18 N.m |
| Steering Encoder Model | BRT38-COM4096D16-RT1 | Voltage | 48V DC |
| Steering Encoder Gear Ratio | 20:120 | Rated Current | 26.4 A |
| Protection Grade | IP54 | Rated Speed | 3000 r/min |
| Operation Temperature | -25°C~+90°C | With Brake Or Not | Yes |

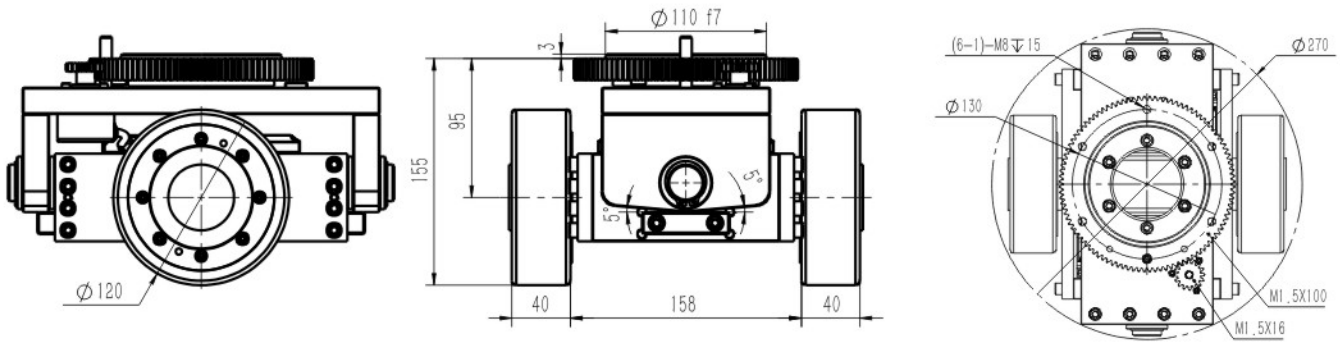
KGV300D-50-2500W-A



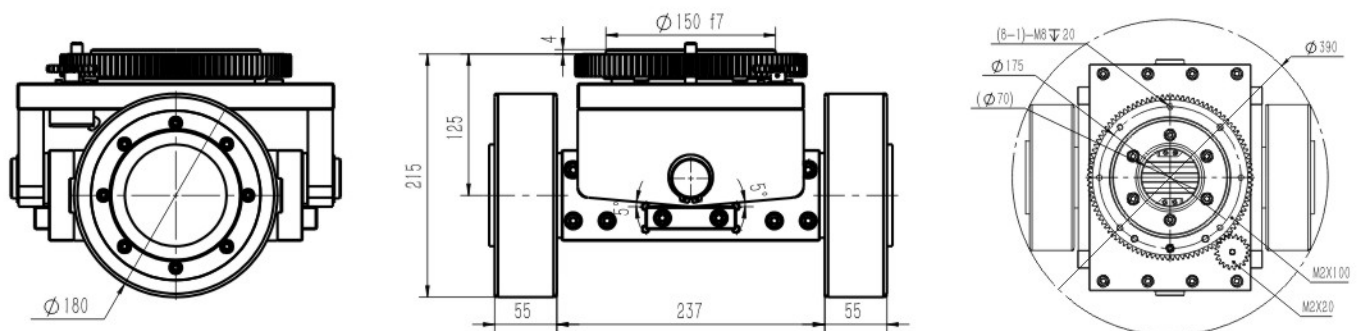
| Model | | KGV300D-50-2500W-A | |
|-----------------------------|----------------------|--------------------|--------------------|
| Machine Parameters | | Reducer Parameters | |
| Drive Wheel Diameter | 300 mm | Speed Ratio | 50 |
| Rated Load | 5000 kg | Rated Torque | 600 N.m |
| Max. Speed | 56.5 m/min | Max. Torque | 1200 N.m |
| Turning Diameter | 630 mm | Lubrication Method | Grease Lubrication |
| Electron Limit Angle | ±122° | Motor Parameters | |
| Mechanical Limit Angle | ±135° | Rated Power | 2500 W |
| Max. Yaw Angle | ±5° | Rated Torque | 7.96 N.m |
| Drive Wheel Material | Polyurethane | Voltage | 48V DC |
| Steering Encoder Model | BRT38-COM4096D16-RT1 | Rated Current | 61 A |
| Steering Encoder Gear Ratio | 20:160 | Rated Speed | 3000 r/min |
| Protection Grade | IP54 | With Brake Or Not | Yes |
| Operation Temperature | -25C°~+90C° | | |

Dimensions

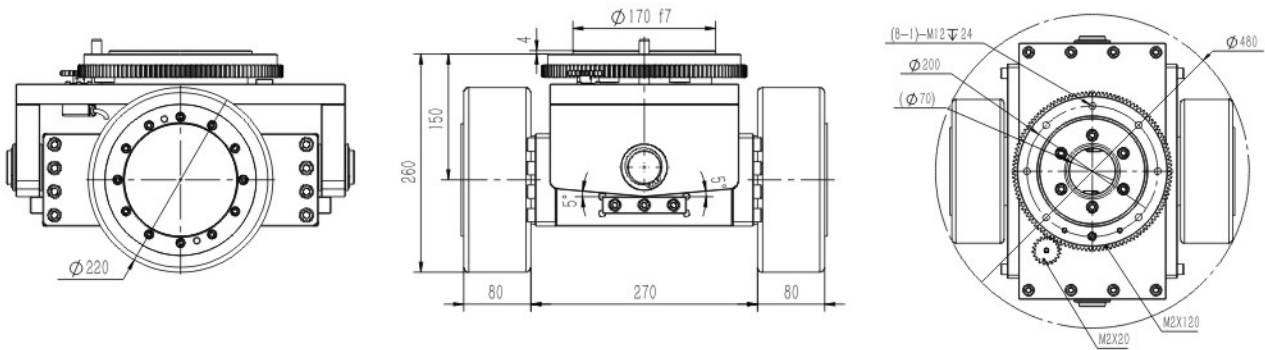
KGV120D-18-400W-A



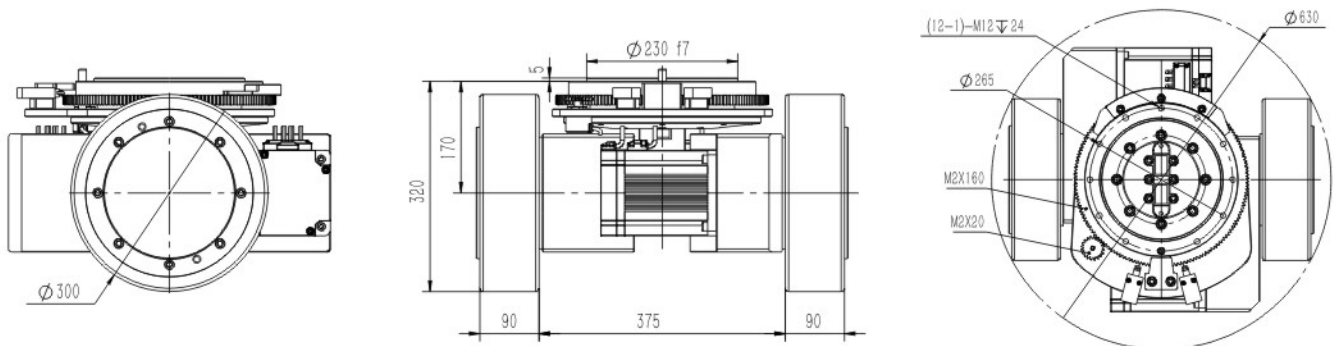
KGV180D-24-750W-A



KGV220D-36-1000W-A



KGV300D-50-2500W-A



Technical Memo

