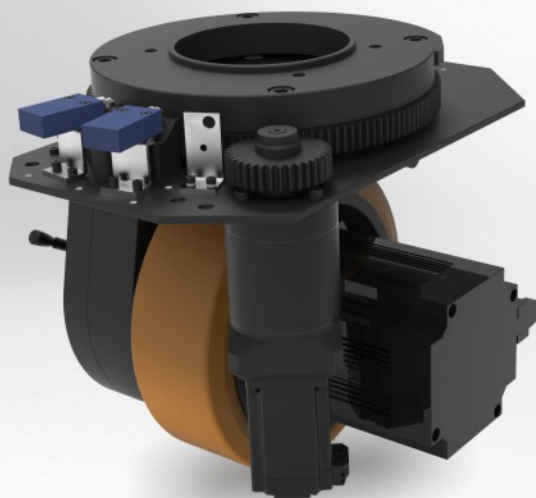


# KGV

Powerful. Compact. Reliable

▶ KGV Walking-Steering System

KGV Premium Solution



## KGV Performance Specification in Metric System

KGV150S-16 (21、24、28、32) -400W-A

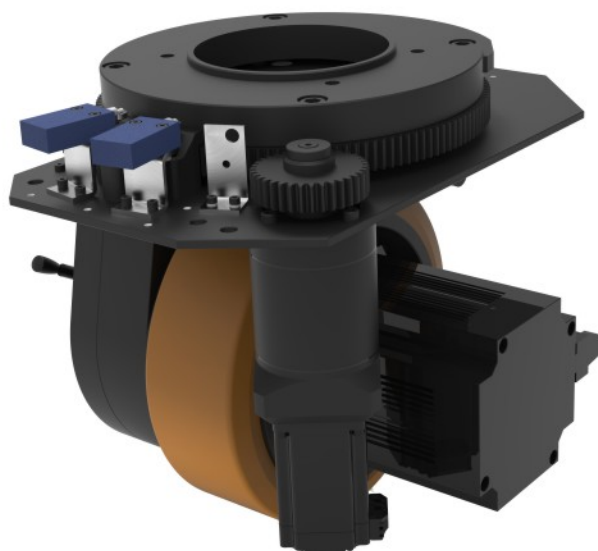


Model		KGV150S-16 (21、24、28、32) -400W-A	
Walking System		Steering System	
Performance Index	Parameter	Performance Index	Parameter
Motor Rated Power	400W	Motor Rated Power	200W
Motor Rated Torque	1.27N.m	Motor Rated Torque	0.64N.m
Voltage	48V DC	Voltage	48V DC
Motor Rated Current	10.6A	Motor Rated Current	5.7A
Motor Rated Speed	3000r/min	Motor Rated Speed	3000r/min
Speed Ratio	16 (21、24、28、32)	Speed Ratio	160
Drive Wheel Diameter	150mm	Max. Turning Speed	112.5°/Sec
Max. Speed	88.3 (67.3, 58.9, 50.5, 44.2) m/min	Electron Limit Angle	±126°
Driving Wheel Load	400Kg	Mechanical Limit Angle	±135°
Turning Radius	180mm		
Brake Torque	6N.m		
Total Weight		16Kg	

Specifications are subject to change without prior notice.

The motor type is low-voltage servo motor, and the power supply voltage can be DC24V.

KGV150S-16 (21、24、28、32) -600W-A



Model		KGV150S-16 (21、24、28、32) -600W-A	
Walking System		Steering System	
Performance Index	Parameter	Performance Index	Parameter
Motor Rated Power	600W	Motor Rated Power	200W
Motor Rated Torque	1.91N.m	Motor Rated Torque	0.64N.m
Voltage	48V DC	Voltage	48V DC
Motor Rated Current	16.5A	Motor Rated Current	5.7A
Motor Rated Speed	3000r/min	Motor Rated Speed	3000r/min
Speed Ratio	16 (21、24、28、32)	Speed Ratio	160
Drive Wheel Diameter	150mm	Max. Turning Speed	112.5°/Sec
Max. Speed	88.3 (67.3, 58.9, 50.5, 44.2) m/min	Electron Limit Angle	±126°
Driving Wheel Load	400Kg	Mechanical Limit Angle	±135°
Turning Radius	185mm		
Brake Torque	6N.m		
Total Weight		16Kg	

Specifications are subject to change without prior notice.

The motor type is low-voltage servo motor, and the power supply voltage can be DC24V.

## KGV Performance Specification in Metric System

KGV160S-16 (21、24、28、32) -750W-A



Model		KGV160S-16 (21、24、28、32) -750W-A	
Walking System		Steering System	
Performance Index	Parameter	Performance Index	Parameter
Motor Rated Power	750W	Motor Rated Power	200W
Motor Rated Torque	2.39N.m	Motor Rated Torque	0.64N.m
Voltage	48V DC	Voltage	48V DC
Motor Rated Current	19.9A	Motor Rated Current	5.7A
Motor Rated Speed	3000r/min	Motor Rated Speed	3000r/min
Speed Ratio	16 (21、24、28、32)	Speed Ratio	160
Drive Wheel Diameter	160mm	Max. Turning Speed	112.5°/Sec
Max. Speed	94.2 (71.8, 62.8, 53.8, 47.1) m/min	Electron Limit Angle	±126°
Driving Wheel Load	800Kg	Mechanical Limit Angle	±135°
Turning Radius	180mm		
Brake Torque	6N.m		
Total Weight		20Kg	

Specifications are subject to change without prior notice.

The motor type is low-voltage servo motor, and the power supply voltage can be DC24V.

KGV160S-16(21、24、28、32)-1000W-A



Model		KGV160S-16 (21、24、28、32) -1000W-A	
Walking System		Steering System	
Performance Index	Parameter	Performance Index	Parameter
Motor Rated Power	1000W	Motor Rated Power	200W
Motor Rated Torque	3.18N.m	Motor Rated Torque	0.64N.m
Voltage	48V DC	Voltage	48V DC
Motor Rated Current	26.4A	Motor Rated Current	5.7A
Motor Rated Speed	3000r/min	Motor Rated Speed	3000r/min
Speed Ratio	16 (21、24、28、32)	Speed Ratio	160
Drive Wheel Diameter	160mm	Max. Turning Speed	112.5°/Sec
Max. Speed	94.2 (71.8, 62.8, 53.8, 47.1) m/min	Electron Limit Angle	±126°
Driving Wheel Load	800Kg	Mechanical Limit Angle	±135°
Turning Radius	185mm		
Brake Torque	6N.m		
Total Weight		20Kg	

Specifications are subject to change without prior notice.

The motor type is low-voltage servo motor, and the power supply voltage can be DC24V.

KGV Walking-Steering System

## KGV Performance Specification in Metric System

KGV210S-32(36、40)-1260W-A

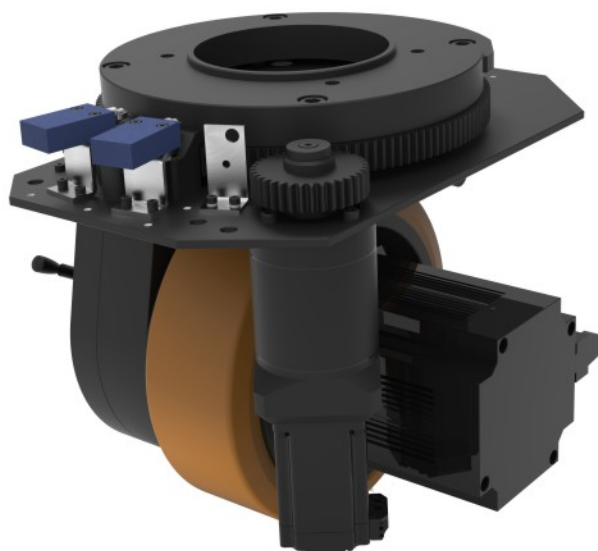


Model		KGV210S-32 (36、40) -1260W-A	
Walking System		Steering System	
Performance Index	Parameter	Performance Index	Parameter
Motor Rated Power	1260W	Motor Rated Power	400W
Motor Rated Torque	4N.m	Motor Rated Torque	1.27N.m
Voltage	48V DC	Voltage	48V DC
Motor Rated Current	28.5A	Motor Rated Current	10.6A
Motor Rated Speed	3000r/min	Motor Rated Speed	3000r/min
Speed Ratio	32 (36、40)	Speed Ratio	160
Drive Wheel Diameter	210mm	Max. Turning Speed	112.5°/Sec
Max. Speed	61.8 (55, 49.5) m/min	Electron Limit Angle	±126°
Driving Wheel Load	1000Kg	Mechanical Limit Angle	±135°
Turning Radius	210mm		
Brake Torque	8N.m		
Total Weight		42Kg	

Specifications are subject to change without prior notice.

The motor type is low-voltage servo motor, and the power supply voltage can be DC24V.

KGV210S-32(36、40)-1570W-A



Model		KGV210S-32 (36、40) -1570W-A	
Walking System		Steering System	
Performance Index	Parameter	Performance Index	Parameter
Motor Rated Power	1570W	Motor Rated Power	400W
Motor Rated Torque	5N.m	Motor Rated Torque	1.27N.m
Voltage	48V DC	Voltage	48V DC
Motor Rated Current	42.4A	Motor Rated Current	10.6A
Motor Rated Speed	3000r/min	Motor Rated Speed	3000r/min
Speed Ratio	32 (36、40)	Speed Ratio	160
Drive Wheel Diameter	210mm	Max. Turning Speed	112.5°/Sec
Max. Speed	61.8 (55、49.5) m/min	Electron Limit Angle	±126°
Driving Wheel Load	1200Kg	Mechanical Limit Angle	±135°
Turning Radius	212mm		
Brake Torque	8N.m		
Total Weight		46Kg	

Specifications are subject to change without prior notice.

The motor type is low-voltage servo motor, and the power supply voltage can be DC24V.

## KGV Performance Specification in Metric System

KGV250S-32(36、40)-1570W-A



Model		KGV250S-32 (36、40) -1570W-A	
Walking System		Steering System	
Performance Index	Parameter	Performance Index	Parameter
Motor Rated Power	1570W	Motor Rated Power	400W
Motor Rated Torque	5N.m	Motor Rated Torque	1.27N.m
Voltage	48V DC	Voltage	48V DC
Motor Rated Current	42.4A	Motor Rated Current	10.6A
Motor Rated Speed	3000r/min	Motor Rated Speed	3000r/min
Speed Ratio	32 (36、40)	Speed Ratio	160
Drive Wheel Diameter	250mm	Max. Turning Speed	112.5°/Sec
Max. Speed	73.6 (65.4, 58.9) m/min	Electron Limit Angle	±126°
Driving Wheel Load	1500Kg	Mechanical Limit Angle	±135°
Turning Radius	225mm		
Brake Torque	8N.m		
Total Weight		65Kg	

Specifications are subject to change without prior notice.

The motor type is low-voltage servo motor, and the power supply voltage can be DC24V.



## KGV270S-30-2000W-A



Model		KGV270S-30-2000W-A	
Walking System		Steering System	
Performance Index	Parameter	Performance Index	Parameter
Motor Rated Power	2000W	Motor Rated Power	400W
Motor Rated Torque	9.55N.m	Motor Rated Torque	1.27N.m
Voltage	48V DC	Voltage	48V DC
Motor Rated Current	53.8A	Motor Rated Current	10.6A
Motor Rated Speed	2000r/min	Motor Rated Speed	3000r/min
Speed Ratio	30.17	Speed Ratio	160
Drive Wheel Diameter	270mm	Max. Turning Speed	112.5°/Sec
Max. Speed	56.2m/min	Electron Limit Angle	±133°
Driving Wheel Load	1500Kg	Mechanical Limit Angle	±135°
Turning Radius	235mm		
Brake Torque	16N.m		
Total Weight		82Kg	

Specifications are subject to change without prior notice.

The motor type is low-voltage servo motor, and the power supply voltage can be DC24V.

## KGV Performance Specification in Metric System

KGV300S-40(45、50)-2200W-A

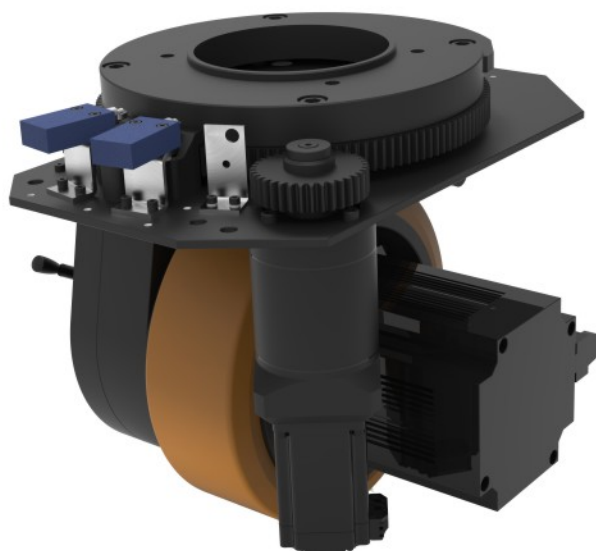


Model		KGV300S-40 (45、50) -2200W-A	
Walking System		Steering System	
Performance Index	Parameter	Performance Index	Parameter
Motor Rated Power	2200W	Motor Rated Power	670W
Motor Rated Torque	7.4N.m	Motor Rated Torque	2.22N.m
Voltage	48V DC	Voltage	48V DC
Motor Rated Current	58A	Motor Rated Current	17A
Motor Rated Speed	2850r/min	Motor Rated Speed	2875r/min
Speed Ratio	40 (45、50)	Speed Ratio	226
Drive Wheel Diameter	300mm	Max. Turning Speed	76.3°/Sec
Max. Speed	67.1 (59.7, 53.7) m/min	Electron Limit Angle	±122°
Driving Wheel Load	2000Kg	Mechanical Limit Angle	±135°
Turning Radius	325mm		
Brake Torque	16N.m		
Total Weight		115Kg	

Specifications are subject to change without prior notice.

The motor type is low-voltage servo motor, and the power supply voltage can be DC24V.

KGV300S-40(45、50)-2500W-A



Model		KGV300S-40 (45、50) -2500W-A	
Walking System		Steering System	
Performance Index	Parameter	Performance Index	Parameter
Motor Rated Power	2500W	Motor Rated Power	750W
Motor Rated Torque	7.96N.m	Motor Rated Torque	2.39N.m
Voltage	48V DC	Voltage	48V DC
Motor Rated Current	61A	Motor Rated Current	19.9A
Motor Rated Speed	3000r/min	Motor Rated Speed	3000r/min
Speed Ratio	40 (45、50)	Speed Ratio	226
Drive Wheel Diameter	300mm	Max. Turning Speed	79.6°/Sec
Max. Speed	70.7 (62.8, 56.5) m/min	Electron Limit Angle	±122°
Driving Wheel Load	2000Kg	Mechanical Limit Angle	±135°
Turning Radius	265mm		
Brake Torque	16N.m		
Total Weight		110Kg	

Specifications are subject to change without prior notice.

The motor type is low-voltage servo motor, and the power supply voltage can be DC24V.

## KGV Performance Specification in Metric System

KGV350S-40(45、50)-3000W-A

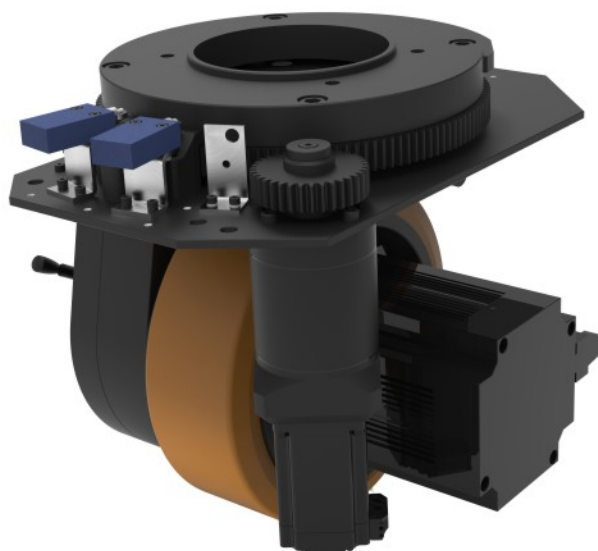


Model		KGV350S-40 (45、50) -3000W-A	
Walking System		Steering System	
Performance Index	Parameter	Performance Index	Parameter
Motor Rated Power	3000W	Motor Rated Power	1000W
Motor Rated Torque	14.33N.m	Motor Rated Torque	3.18N.m
Voltage	48V DC	Voltage	48V DC
Motor Rated Current	77.7A	Motor Rated Current	26.4A
Motor Rated Speed	2000r/min	Motor Rated Speed	3000r/min
Speed Ratio	40 (45、50)	Speed Ratio	200
Drive Wheel Diameter	350mm	Max. Turning Speed	90°/Sec
Max. Speed	55 (48.8、44) m/min	Electron Limit Angle	±115°
Driving Wheel Load	3000Kg	Mechanical Limit Angle	±130°
Turning Radius	335mm		
Brake Torque	40N.m		
Total Weight		156Kg	

Specifications are subject to change without prior notice.

The motor type is low-voltage servo motor, and the power supply voltage can be DC24V.

KGV350S-40(45、50)-4000W-A



Model		KGV350S-40 (45、50) -4000W-A	
Walking System		Steering System	
Performance Index	Parameter	Performance Index	Parameter
Motor Rated Power	4000W	Motor Rated Power	700W
Motor Rated Torque	12.7N.m	Motor Rated Torque	2.9N.m
Voltage	48V DC	Voltage	48V DC
Motor Rated Current	95A	Motor Rated Current	18A
Motor Rated Speed	3000r/min	Motor Rated Speed	2300r/min
Speed Ratio	40 (45、50)	Speed Ratio	200
Drive Wheel Diameter	350mm	Max. Turning Speed	69°/Sec
Max. Speed	82.4 (73.3, 65.9) m/min	Electron Limit Angle	±115°
Driving Wheel Load	3000Kg	Mechanical Limit Angle	±130°
Turning Radius	355mm		
Brake Torque	40N.m		
Total Weight		165Kg	

Specifications are subject to change without prior notice.

The motor type is low-voltage servo motor, and the power supply voltage can be DC24V.

## KGV Performance Specification in Metric System

KGV415S-50-7000W-A

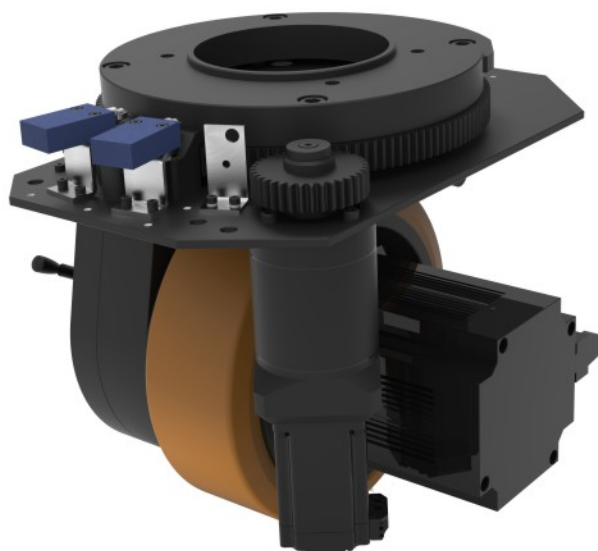


Model		KGV415S-50-7000W-A	
Walking System		Steering System	
Performance Index	Parameter	Performance Index	Parameter
Motor Rated Power	7000W	Motor Rated Power	1100W
Motor Rated Torque	28N.m	Motor Rated Torque	4.51N.m
Voltage	48V DC	Voltage	48V DC
Motor Rated Current	155A	Motor Rated Current	28A
Motor Rated Speed	2438r/min	Motor Rated Speed	2325r/min
Speed Ratio	50	Speed Ratio	475
Drive Wheel Diameter	415mm	Max. Turning Speed	29.4°/Sec
Max. Speed	63.5m/min	Electron Limit Angle	±125°
Driving Wheel Load	5000Kg	Mechanical Limit Angle	±135°
Turning Radius	470mm		
Brake Torque	60N.m		
Total Weight		365Kg	

Specifications are subject to change without prior notice.

The motor type is low-voltage servo motor, and the power supply voltage can be DC24V.

## KGV600S-50-9000W-A



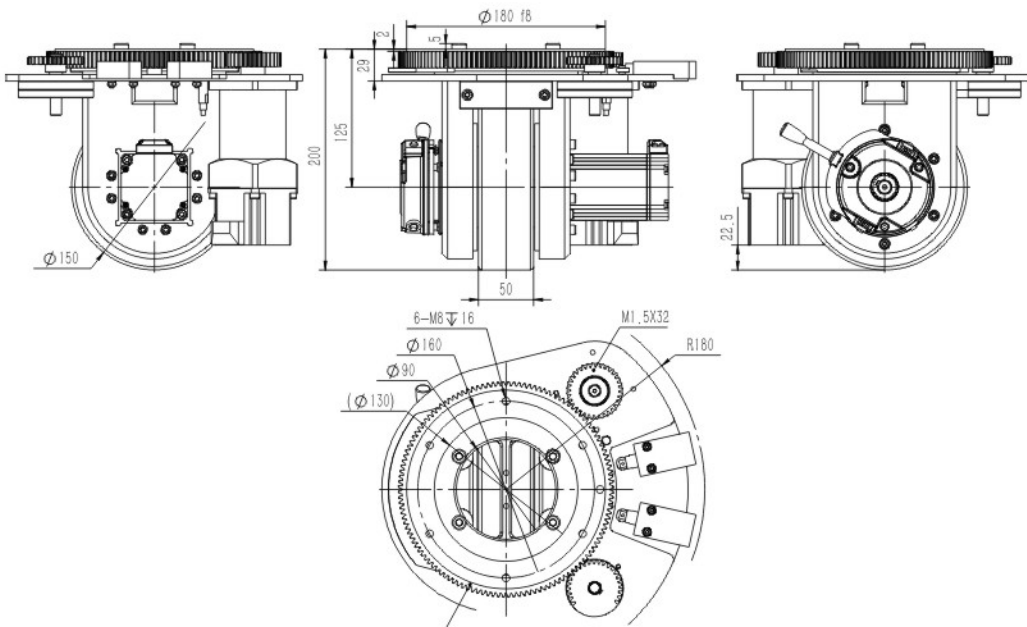
Model		KGV600S-50-9000W-A	
Walking System		Steering System	
Performance Index	Parameter	Performance Index	Parameter
Motor Rated Power	9000W	Motor Rated Power	2200W
Motor Rated Torque	55N.m	Motor Rated Torque	7.4N.m
Voltage	48V DC	Voltage	48V DC
Motor Rated Current	220A	Motor Rated Current	58A
Motor Rated Speed	1560r/min	Motor Rated Speed	2850r/min
Speed Ratio	50	Speed Ratio	625
Drive Wheel Diameter	600mm	Max. Turning Speed	27.36°/Sec
Max. Speed	58.8m/min	Electron Limit Angle	±125°
Driving Wheel Load	10000Kg	Mechanical Limit Angle	±135°
Turning Radius	525mm		
Brake Torque	100N.m		
Total Weight		875Kg	

Specifications are subject to change without prior notice.

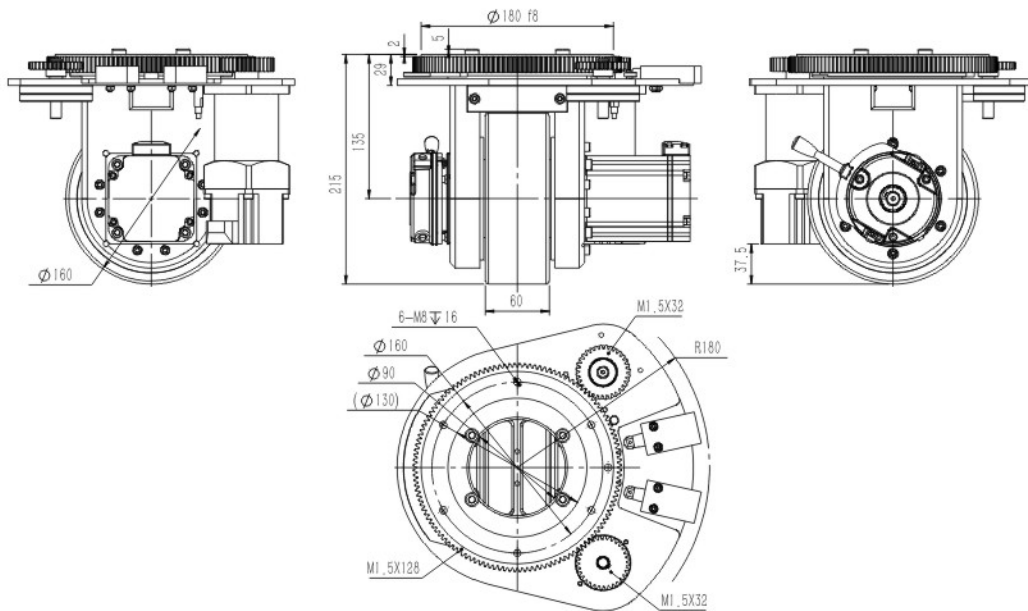
The motor type is low-voltage servo motor, and the power supply voltage can be DC24V.

## Dimensions

### KGV150S-16(21, 24, 28, 32)-400W/600W-A

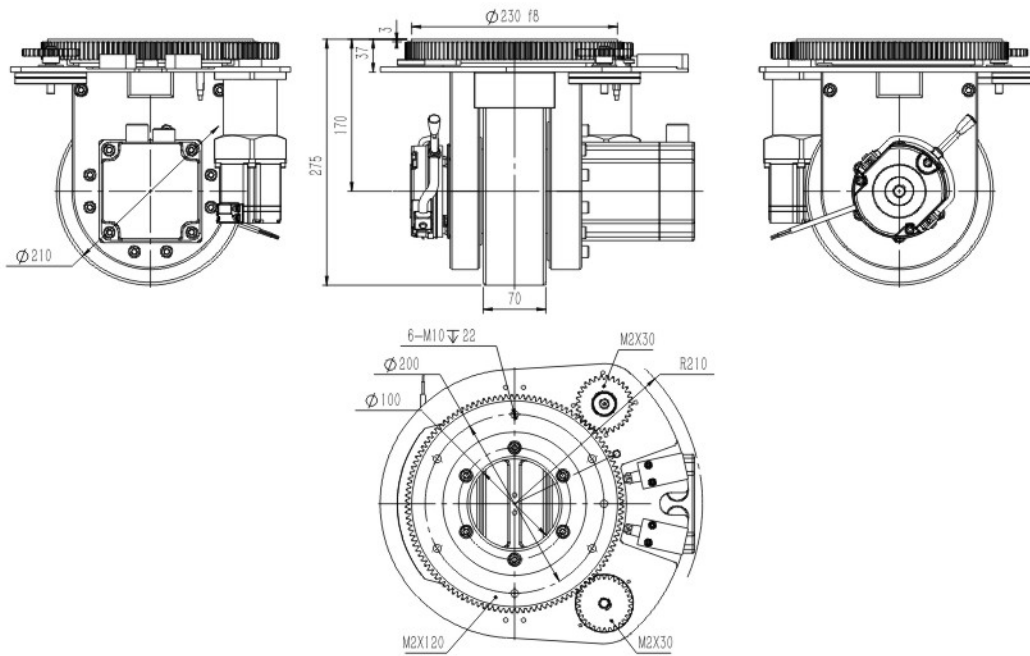


### KGV160S-16(21, 24, 28, 32)-750W/1000W-A

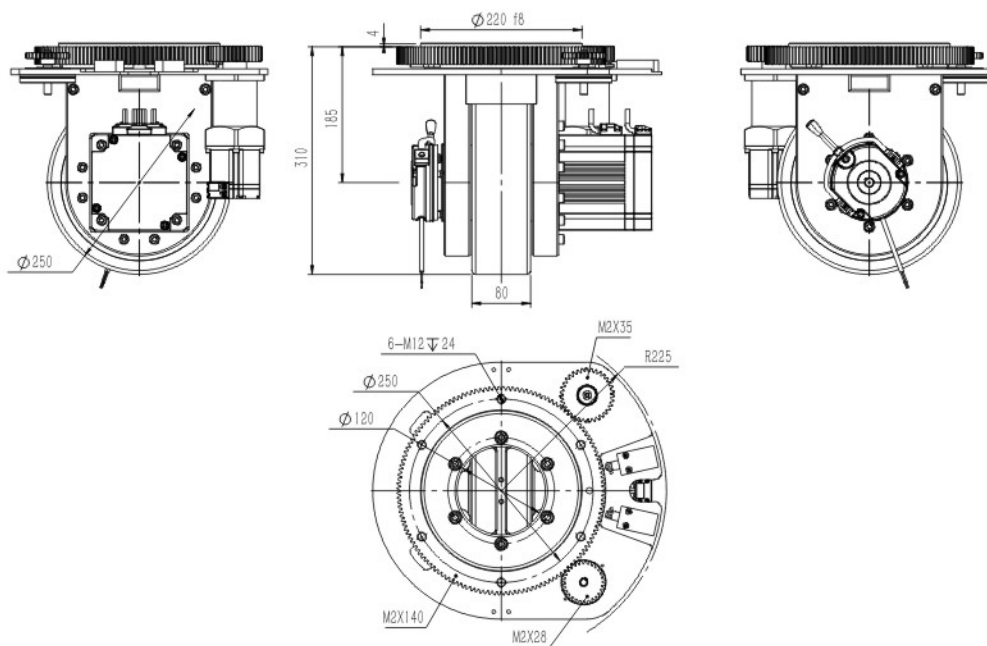




KGV210S-32(36, 40)-1260W/1570W-A

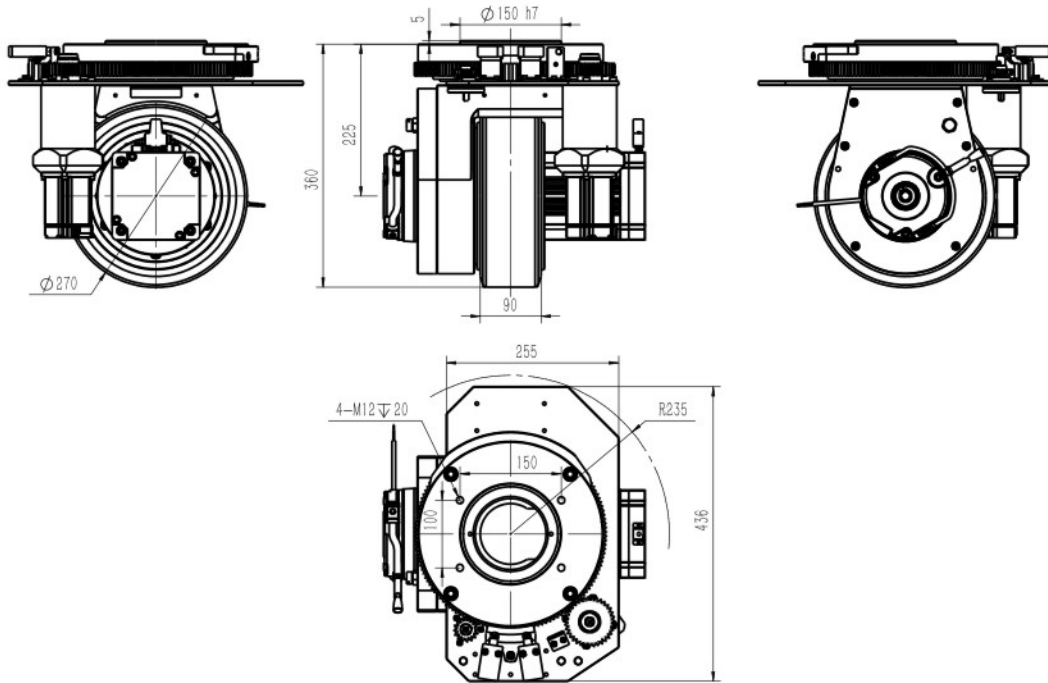


KGV250S-32(36, 40)-1570W-A

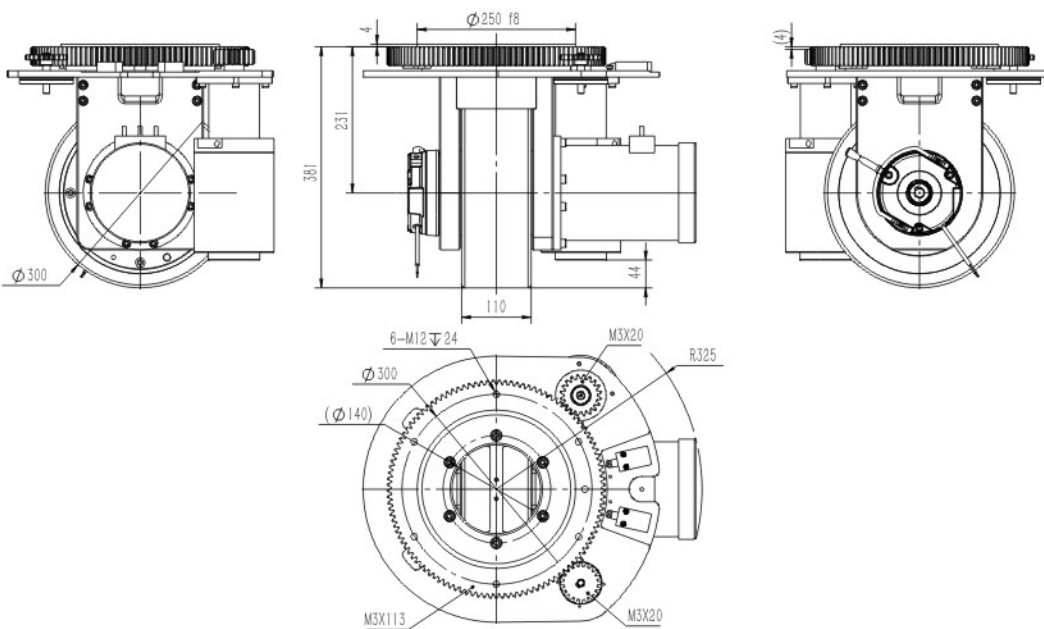


## Dimensions

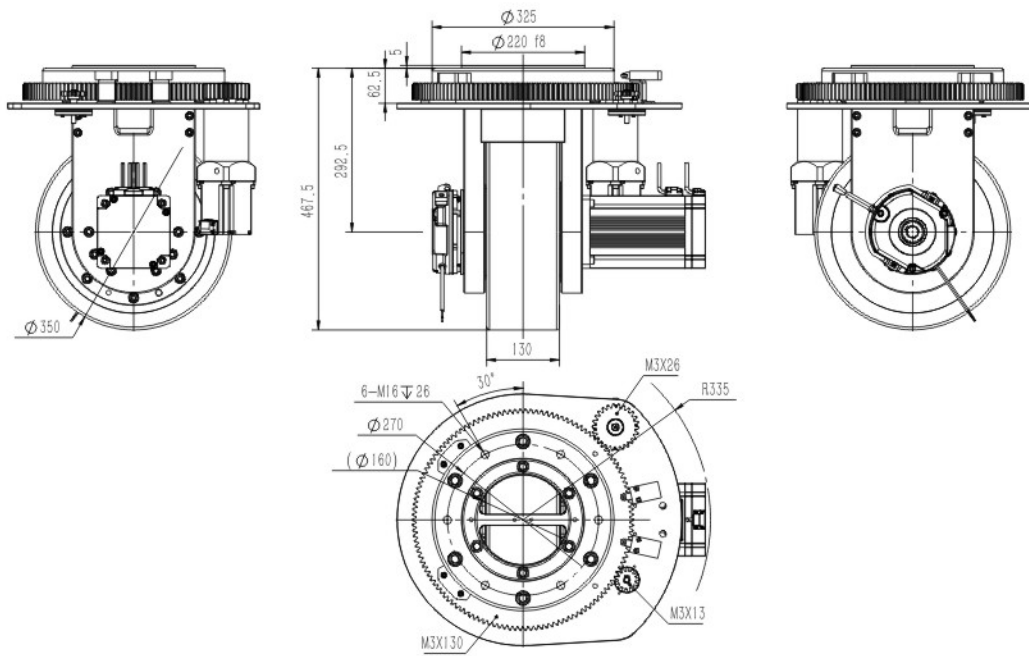
### KGV270S-30-2000W-A



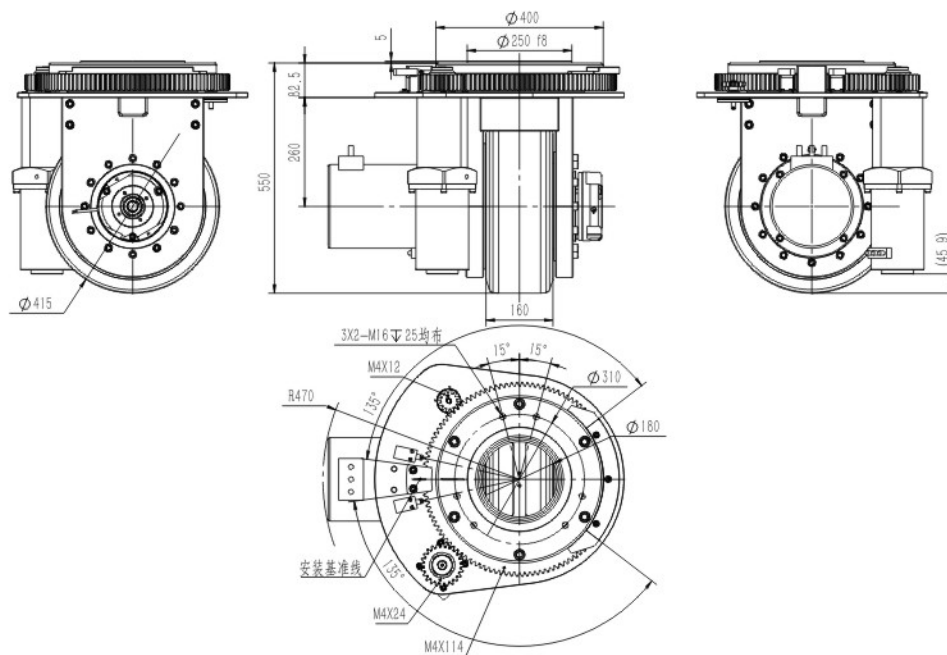
### KGV300S-40(45, 50)-2200W/2500W-A



KGV350S-40(45、50)-3000W/4000W-A

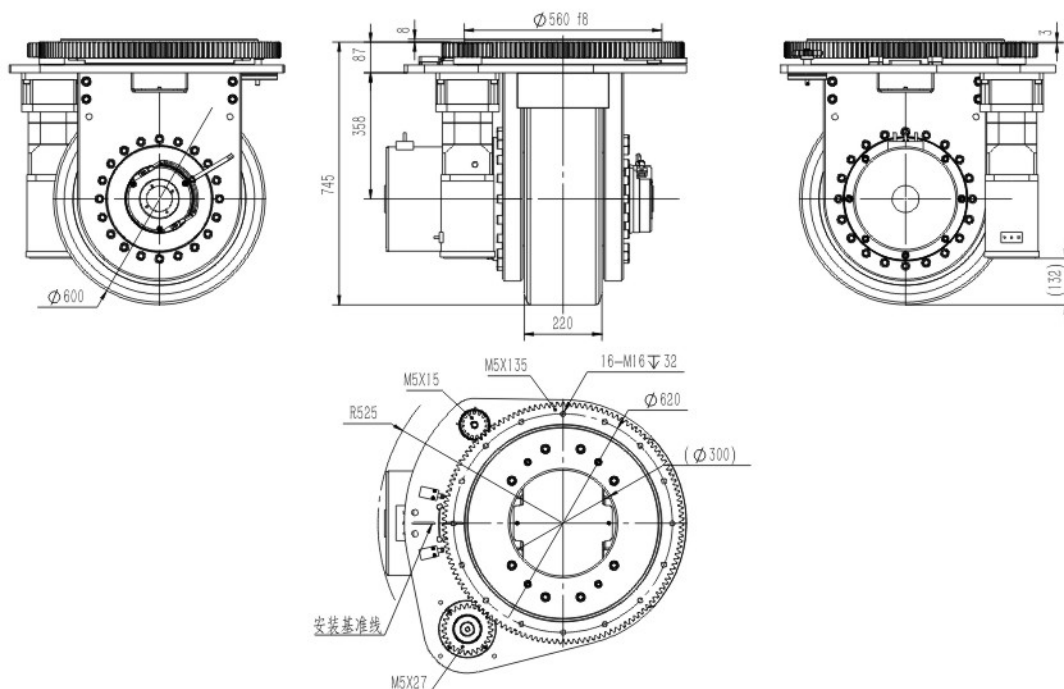


KGV415S-50-7000W-A

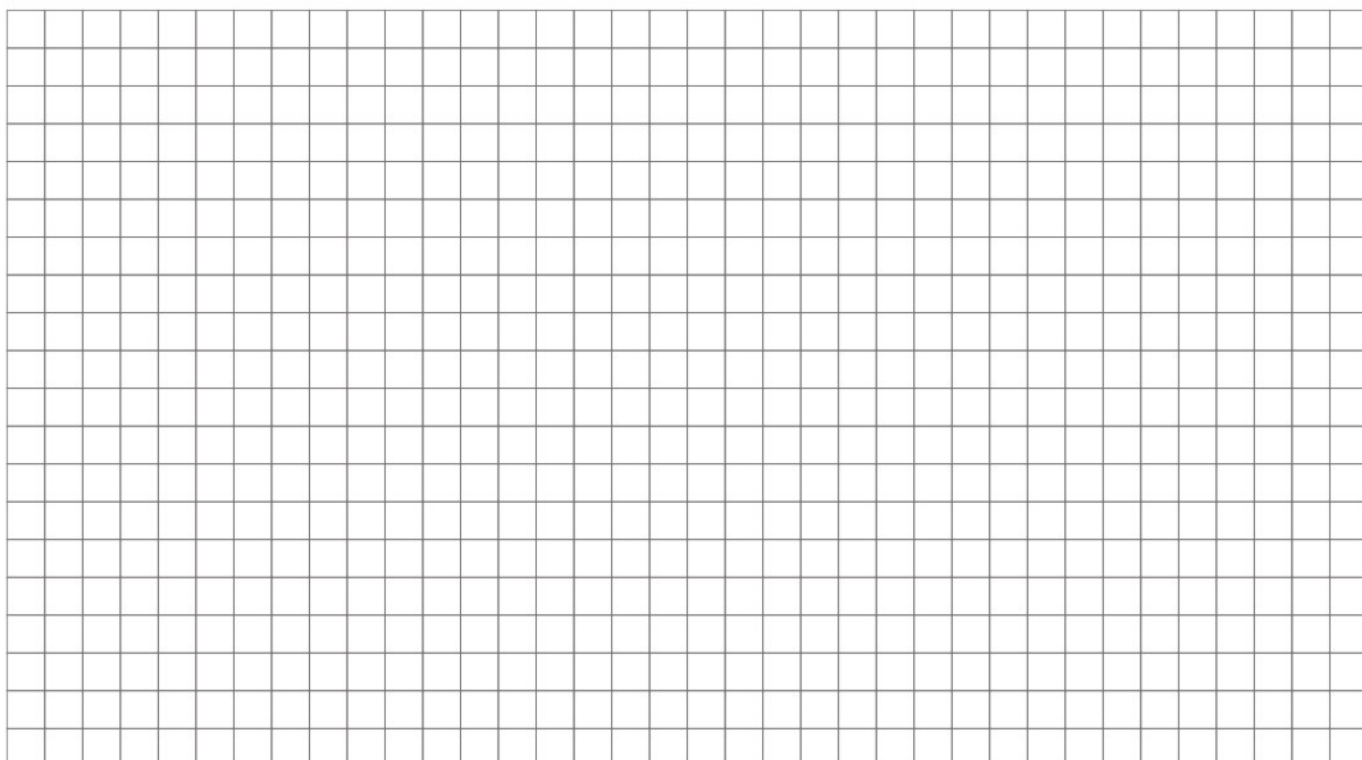


## Dimensions

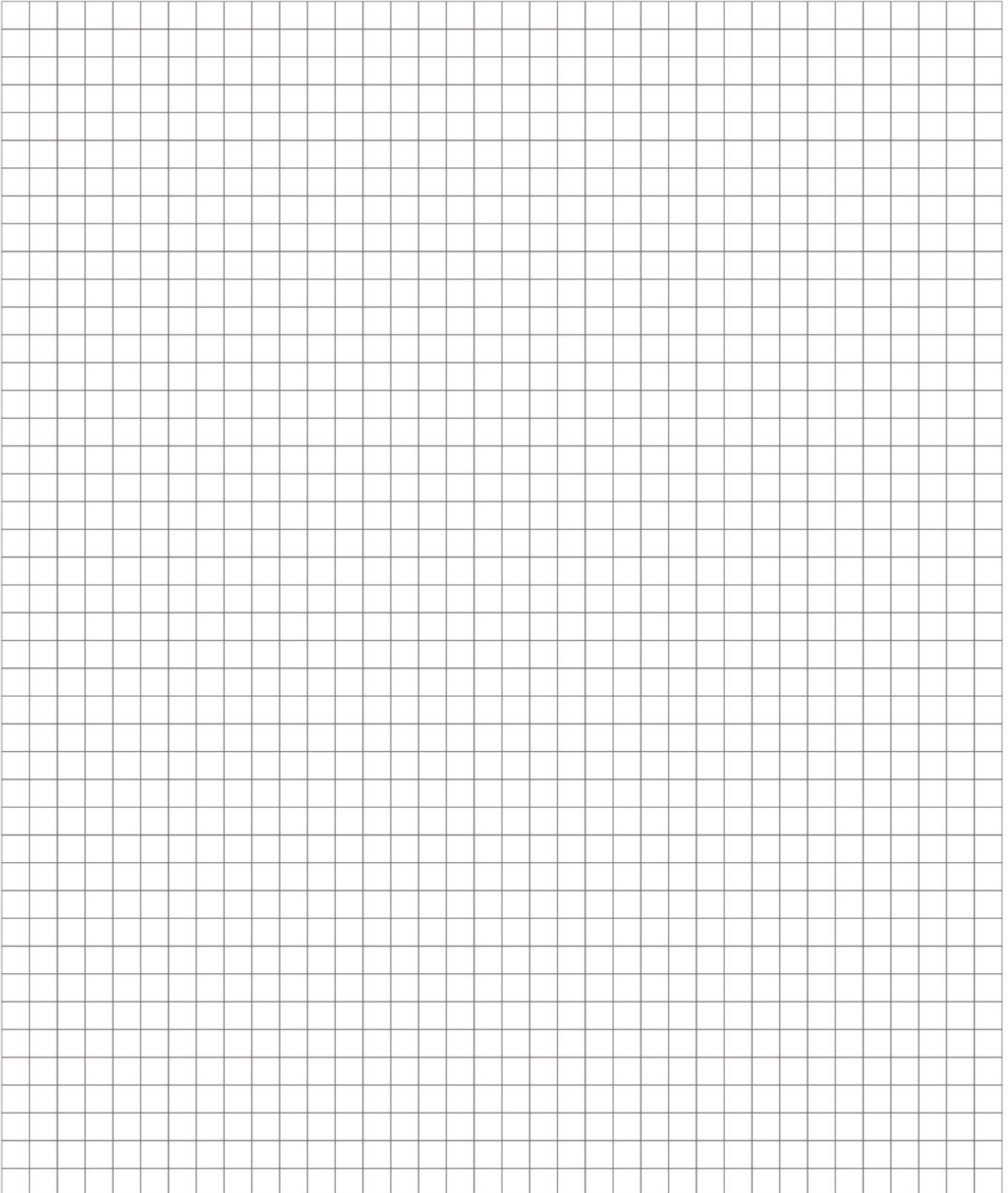
### KGV600S-50-9000W-A



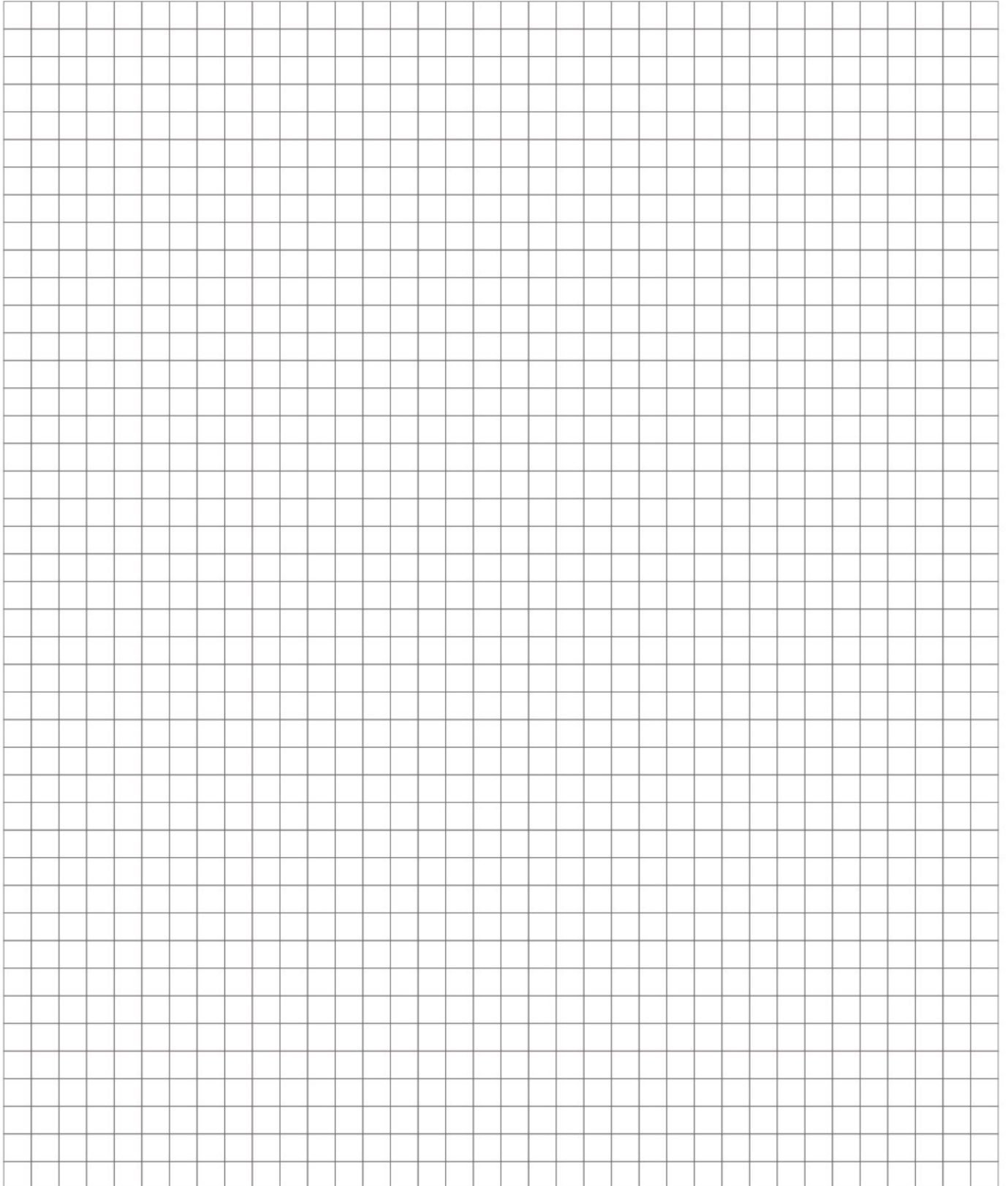
## Technical Memo



Technical Memo



Technical Memo

A large grid of graph paper, consisting of 20 columns and 30 rows of small squares, intended for technical drawing or calculations.