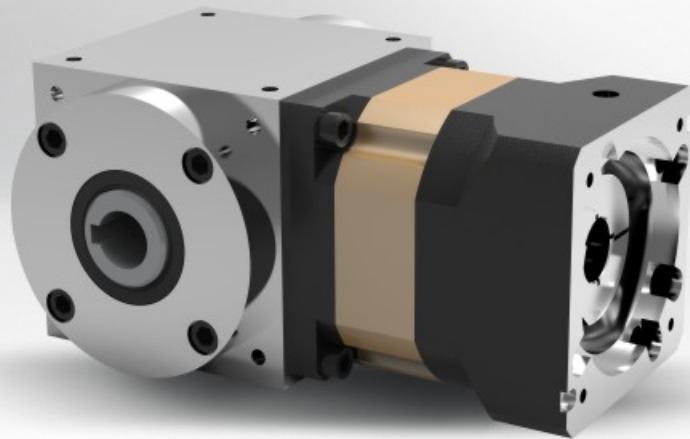


# KTFH

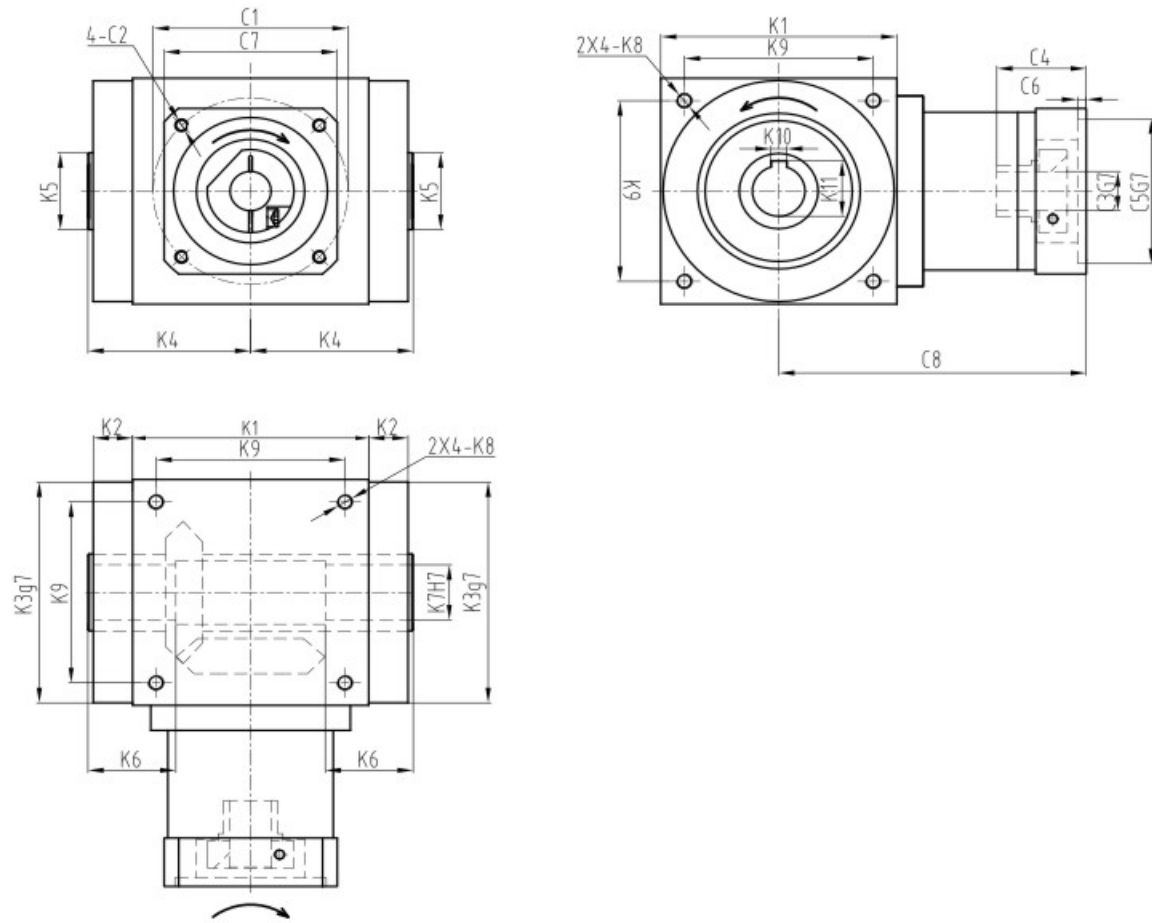
Powerful. Precision. Reliable

▶ Spiral Bevel Gearbox

Advanced Gearbox Solution



**KTFH Dimensions**



Size	KT070FH	KT090FH	KT110FH	KT140FH	KT170FH	KT210FH	KT240FH
K1	75	90	110	140	170	210	240
K2	14.5	15	15	15	15	20	25
K3	Φ73	Φ88	Φ108	Φ135	Φ165	Φ205	Φ235
K4	54	62	72	87	102	127	147
K5	Φ22	Φ28	Φ33	Φ47	Φ55	Φ75	Φ85
K6	32	35	40	50	55	65	80
K7	Φ12	Φ18	Φ22	Φ32	Φ40	Φ50	Φ55
K8	M6X8	M6X15	M8X10	M10X13	M12X20	M16X25	M16X35
K9	60	72	88	110	134	170	190
K10	5	6	6	10	12	14	16X36
K11	16.3	20.8	24.8	35.3	43.3	53.8	59.3
K12	18	20.5	24.5	35	43	53.5	59
K13	25	28	32	45	50	70	80

Size	KT070FH	KT090FH	KT110FH	KT140FH	KT170FH	KT210FH	KT240FH
<b>Connection Dimensions of 1-stage Reducion Motor</b>							
C1	Φ70	Φ90	Φ90	Φ145	Φ145	Φ200	Φ215
C2	M5X12	M6X15	M6X15	M8X20	M8X20	M12X25	M12X25
C3	Φ14	Φ19	Φ19	Φ24	Φ24	Φ35	Φ42
C4	32.1	41.6	41.6	61.3	61.3	82	116
C5	Φ50	Φ70	Φ70	Φ110	Φ110	Φ114.3	Φ180
C6	6.5	6.5	6.5	8	8	8	8
C7	70	85	85	120	120	175	190
C8	93	103	143	172.2	248.5	318	355
<b>Connection Dimensions of 2-stages Reducion Motor</b>							
C1	Φ70	Φ90	Φ90	Φ145	Φ145	Φ200	Φ215
C2	M5X12	M6X15	M6X15	M8X20	M8X20	M12X25	M12X25
C3	Φ14	Φ19	Φ19	Φ24	Φ24	Φ35	Φ42
C4	32.1	41.6	41.6	61.3	61.3	82	116
C5	Φ50	Φ70	Φ70	Φ110	Φ110	Φ114.3	Φ180
C6	6.5	6.5	6.5	8	8	8	8
C7	70	85	85	120	120	175	190
C8	93	103	143	172.2	248.5	318	355
<b>Connection Dimensions of 3-stages Reducion Motor</b>							
C1	Φ70	Φ90	Φ90	Φ145	Φ145	Φ200	Φ200
C2	M5X12	M6X15	M6X15	M8X20	M8X20	M12X25	M12X25
C3	Φ14	Φ19	Φ19	Φ24	Φ24	Φ35	Φ35
C4	32.1	41.6	41.6	61.3	61.3	82	82
C5	Φ50	Φ70	Φ70	Φ110	Φ110	Φ114.3	Φ114.3
C6	6.5	6.5	6.5	8	8	8	8
C7	70	85	85	120	120	175	175
C8	138.2	168	178.3	249.8	309.5	358	399

The dimensions modified as per the applied motor flanges.

You can get the specific gearbox drawing solution by KDP(Kofon Design Programme) on line from our website: [www.kofon-motion.com](http://www.kofon-motion.com)

Technical Memo

