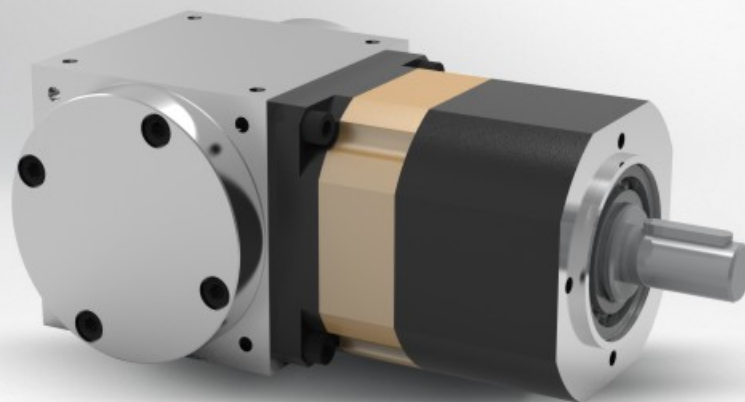


KTR1

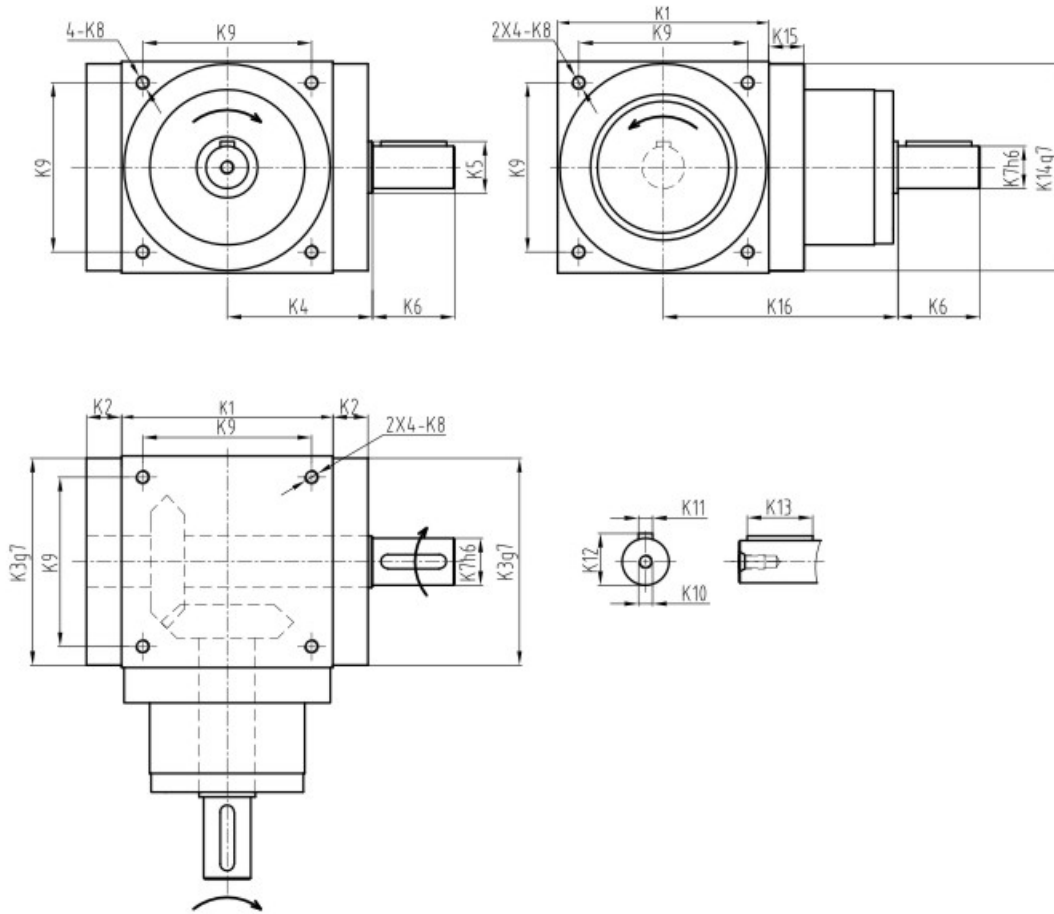
Powerful. Precision. Reliable

▶ Spiral Bevel Gearbox

Advanced Gearbox Solution



KTR1 Dimensions

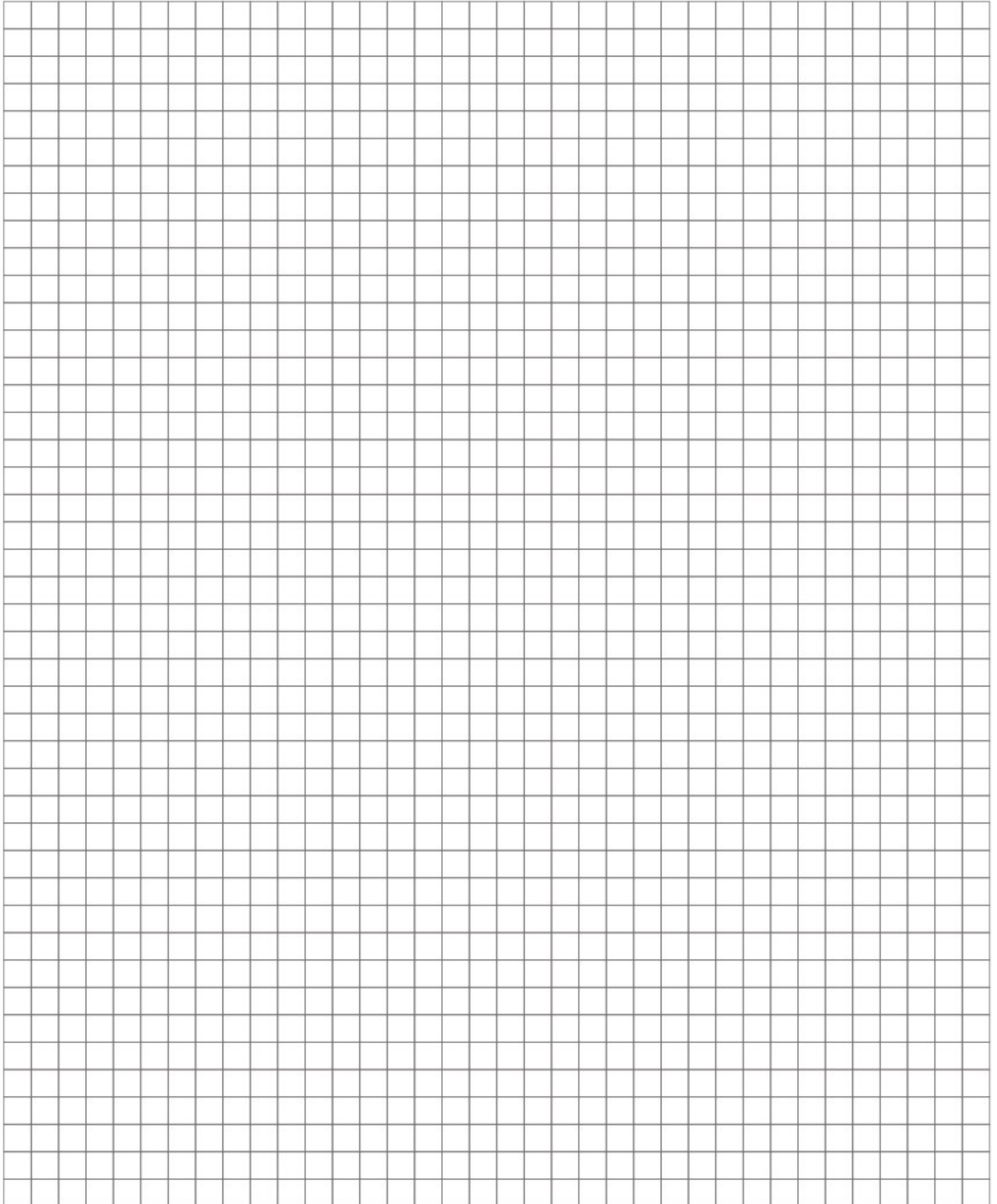


Size	KT070R1	KT090R1	KT110R1	KT140R1	KT170R1	KT210R1	KT240R1
K1	75	90	110	140	170	210	240
K2	14.5	15	15	15	15	20	25
K3	Φ73	Φ88	Φ108	Φ135	Φ165	Φ205	Φ235
K4	54	62	72	87	102	127	147
K5	Φ22	Φ25	Φ30	Φ47	Φ55	Φ75	Φ85
K6	30	35	40	50	60	75	85
K7	Φ16	Φ18	Φ22	Φ32	Φ40	Φ50	Φ55
K8	M6X8	M6X15	M8X10	M10X13	M12X20	M16X25	M16X35
K9	60	72	88	110	134	170	190
K10	M5X12.5	M5X12.5	M8X19	M12X28	M16X36	M16X36	M16X36
K11	5	6	6	10	12	14	16
K12	18	20.5	24.5	35	43	53.5	59
K13	25	28	32	45	50	70	80
K14	73	88	108	135	165	205	235
K15	15	15	15	15	15	20	25
K16	90	100	115	130	155	195	225

The dimensions modified as per the applied motor flanges.

You can get the specific gearbox drawing solution by KDP(Kofon Design Programme) on line from our website: www.kofon-motion.com

Technical Memo



Technical Memo

