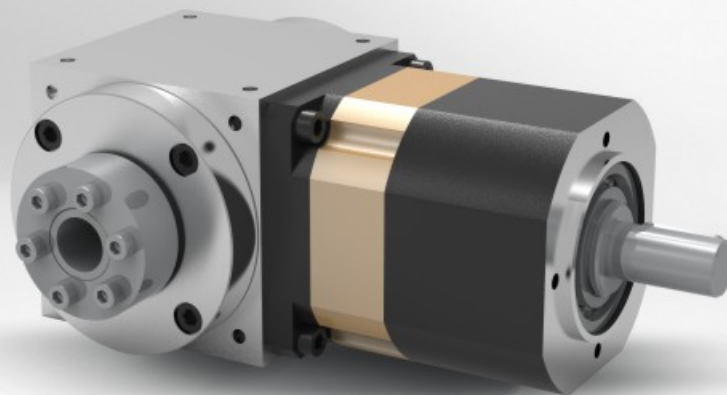


# KTC

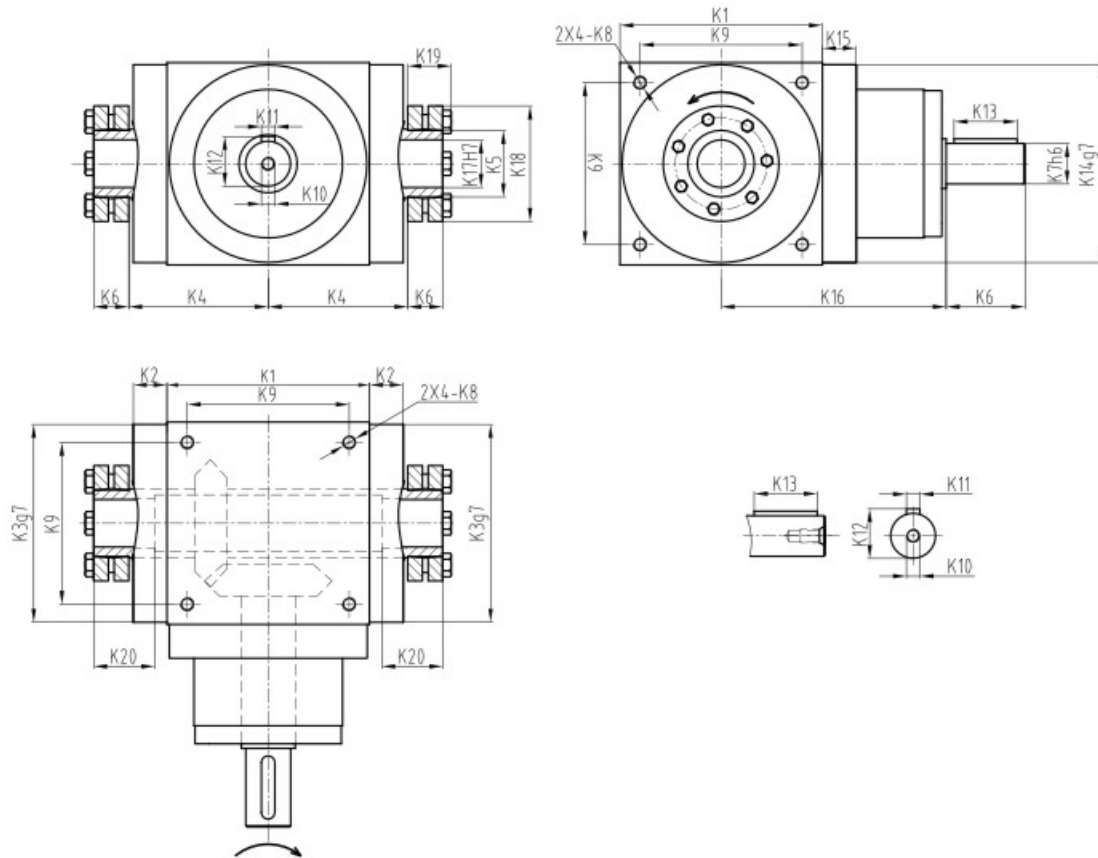
Powerful. Precision. Reliable

▶ Spiral Bevel Gearbox

Advanced Gearbox Solution



## KTC Dimensions

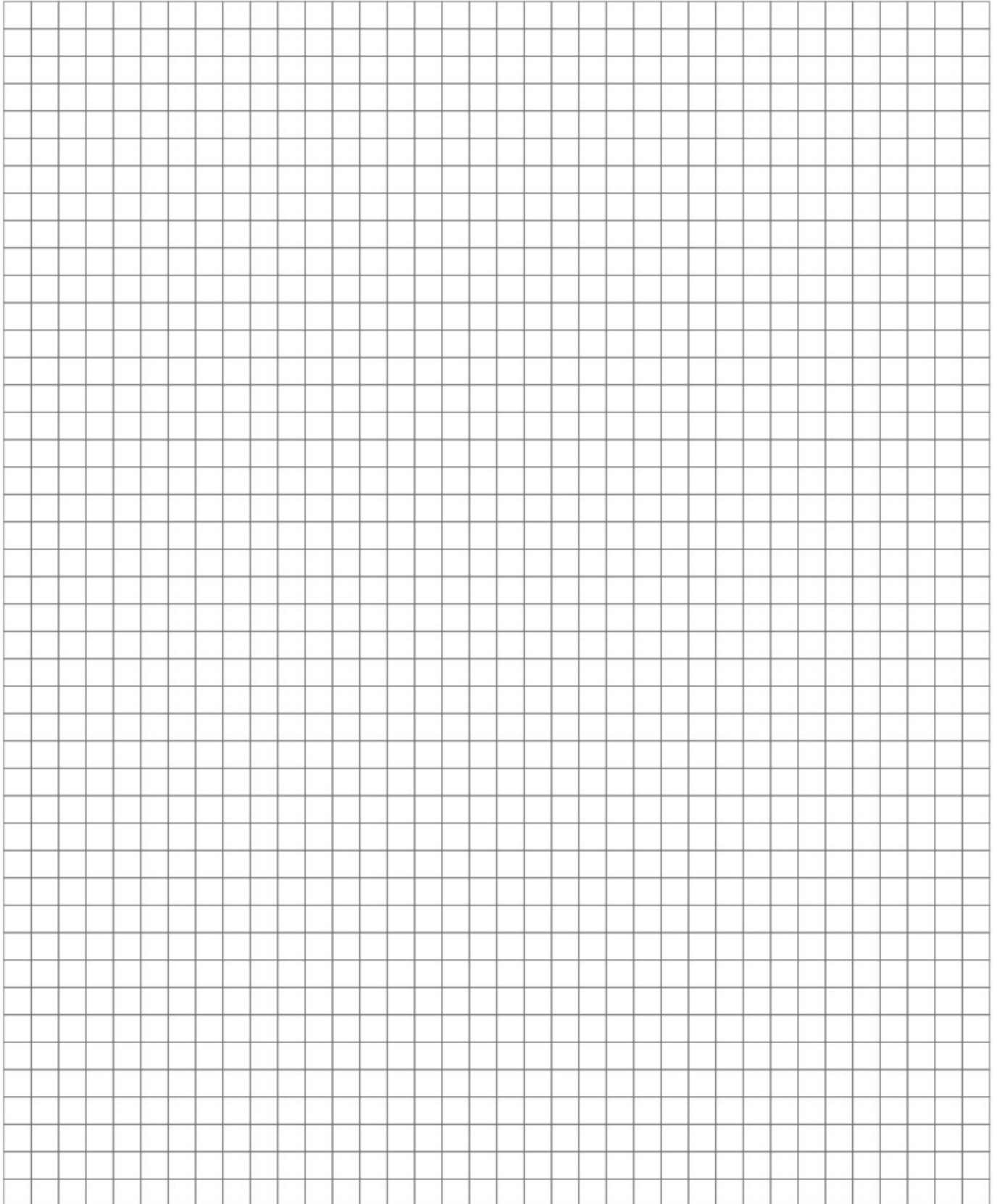


Size	KT070C	KT090C	KT110C	KT140C	KT170C	KT210C	KT240C
K1	75	90	110	140	170	210	240
K2	14.5	15	15	15	15	20	25
K3	Φ73	Φ88	Φ108	Φ135	Φ165	Φ205	Φ235
K4	54	62	72	87	102	127	147
K5	Φ16	Φ22	Φ25	Φ44	Φ50	Φ62	Φ68
K6	14	18	18	24	26	29	29
K7	Φ16	Φ18	Φ22	Φ32	Φ40	Φ50	Φ55
K8	M6X8	M6X15	M8X10	M10X13	M12X20	M16X25	M16X35
K9	60	72	88	110	134	170	190
K10	M5X12.5	M5X12.5	M8X19	M12X28	M16X36	M16X36	M16X36
K11	5	6	6	10	12	14	16
K12	18	20.5	24.5	35	43	53.5	59
K13	25	28	32	45	50	70	80
K14	73	88	108	135	165	205	235
K15	15	15	15	15	15	20	25
K16	90	100	115	130	155	195	225
K17	Φ12	Φ18	Φ22	Φ32	Φ40	Φ50	Φ55
K18	41	50	50	80	90	110	115
K19	18.5	23	23	29.5	31.5	34.5	34.5
K20	32	35	40	50	55	65	80

The dimensions modified as per the applied motor flanges.

You can get the specific gearbox drawing solution by KDP(Kofon Design Programme) on line from our website: [www.kofon-motion.com](http://www.kofon-motion.com)

Technical Memo



Technical Memo

