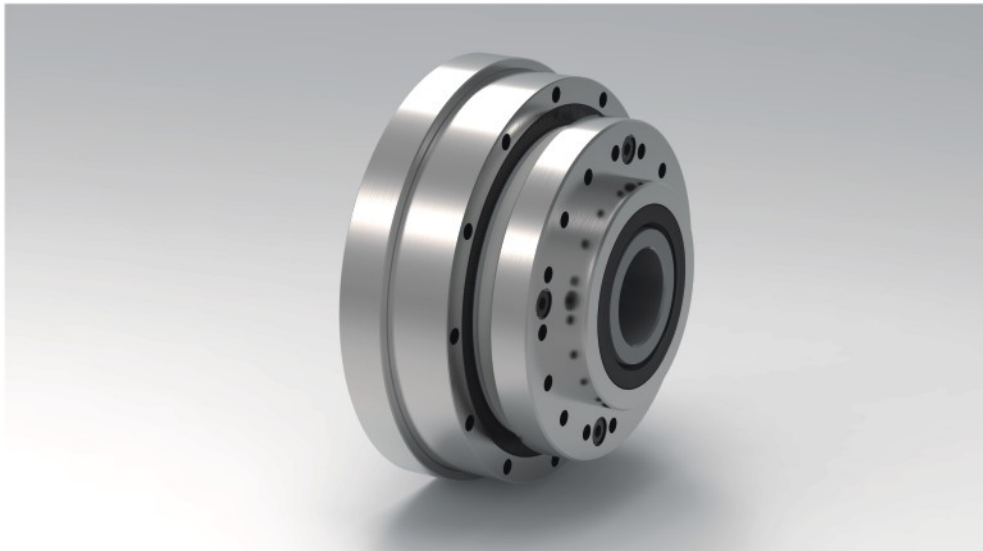


Strain Wave Gear KBG-HO Series Box Unit Hollow shaft open Flexspline



Advantages

- High positioning and rotational accuracy
- High repeatability accuracy
- High torque
- Super compact design
- Backlash free
- Long service life
- High torsional stiffness
- High efficiency
- Simple installation
- Flexible for application design

Main Applications

- Robots
- High Precision Tooling Machine
- High Precision Testing Equipment
- Medical Equipment
- Optical Equipment
- Analytical and Testing Equipment
- Semiconductor Manufacturing Systems
- Packing Machines

Ordering Code

Gear Series	Transmission Type	Gear Size		Ratios				Special Design
KBG	HO	14	50	80	100			as per customers' special requirements
		17	50	80	100	120		
		20	50	80	100	120	160	
		25	50	80	100	120	160	
		32	50	80	100	120	160	
		40	50	80	100	120	160	
		45	50	80	100	120	160	
Ordering Code								
KBG-HO		-	25	-	100		-	SP

Technical Specifications

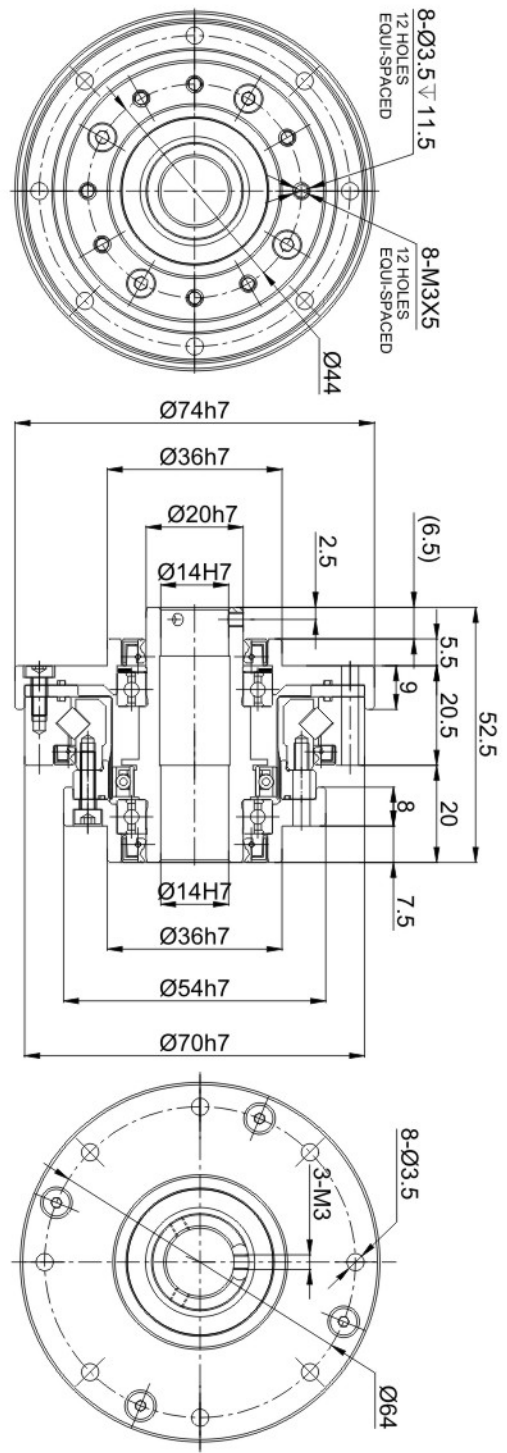
Series	Size	Ratio	Max Output Torque	Average Output Torque	Rated Output Torque at rated speed 2000 rpm	Emergency Stop Torque	Max Input Speed	Average Input Speed	Moment of Inertia	Weight
			Nm	Nm	Nm	Nm	rpm	rpm	kgm ²	kg
KBG-HO	14	50	23	9	7	46	8500	3500	0.18x10 ⁻⁴	0.71
		80	30	14	10	61				
		100	36	14	10	70				
	17	50	44	34	21	91	7300	3500	0.34x10 ⁻⁴	1.00
		80	56	35	29	113				
		100	70	51	31	143				
	20	50	73	44	33	127	6500	3500	0.58x10 ⁻⁴	1.38
		80	96	61	44	165				
		100	107	64	52	191				
		120	113	64	52	191				
	25	160	120	64	52	191	5600	3500	1.23x10 ⁻⁴	2.1
		50	127	72	51	242				
		80	178	113	82	332				
	32	100	204	140	87	369	4800	3500	3.66x10 ⁻⁴	4.5
		120	217	140	87	395				
		160	229	140	87	408				
		50	281	140	99	497				
	40	80	395	217	153	738	4000	3000	9.28x10 ⁻⁴	7.7
		100	433	281	178	841				
		120	459	281	178	892				
		160	484	281	178	892				
	45	50	523	255	178	892	4500	2500	13.8x10 ⁻⁴	10.1
		80	675	369	268	1270				
		100	738	484	345	1400				
120		802	586	382	1530					
50	160	841	586	382	1530	4500	2500	57.2x10 ⁻⁴	14.5	
	50	650	346	229	1235					
	80	920	511	410	1652					
50	100	980	650	462	2040	4500	2500	57.2x10 ⁻⁴	14.5	
	120	1060	811	520	2255					
	160	1150	811	521	2256					
50	80	1220	675	485	2420	4500	2500	57.2x10 ⁻⁴	14.5	
	100	1301	870	611	2788					
	120	1410	1041	691	2678					
50	160	1542	1101	692	3120	4500	2500	57.2x10 ⁻⁴	14.5	

Strain Wave Gear KBG-HO Series Component Kit
Hollow shaft open Flexspline

7.7

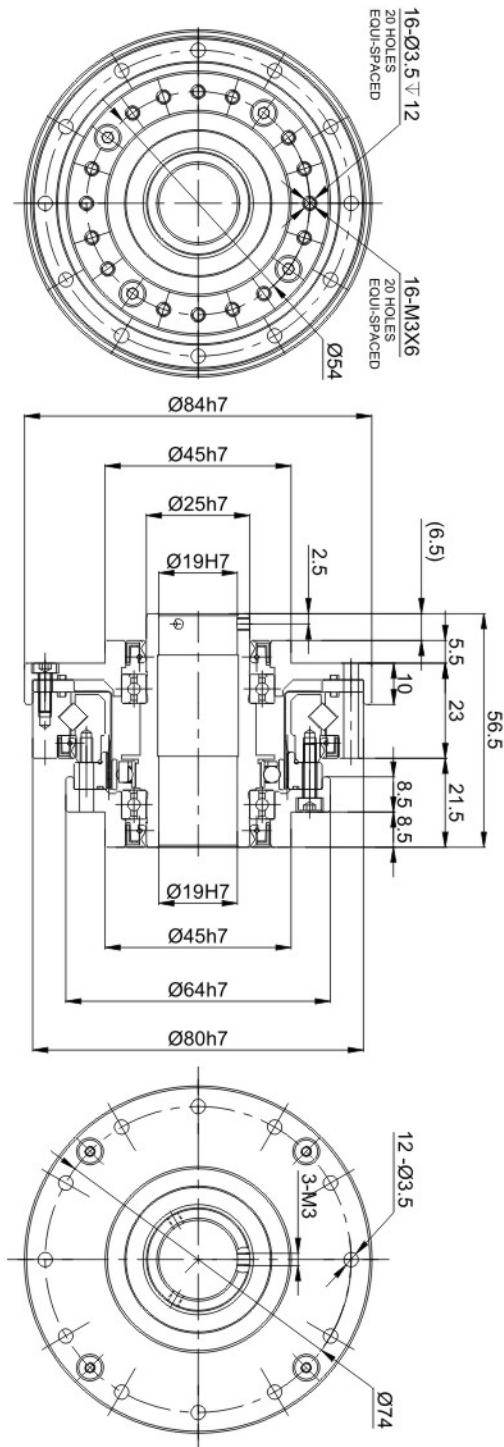
Gear Dimensions

Box Unit KBG-HO-14



Strain Wave Gear KBG-HO Series Component Kit
Hollow shaft open Flexspline

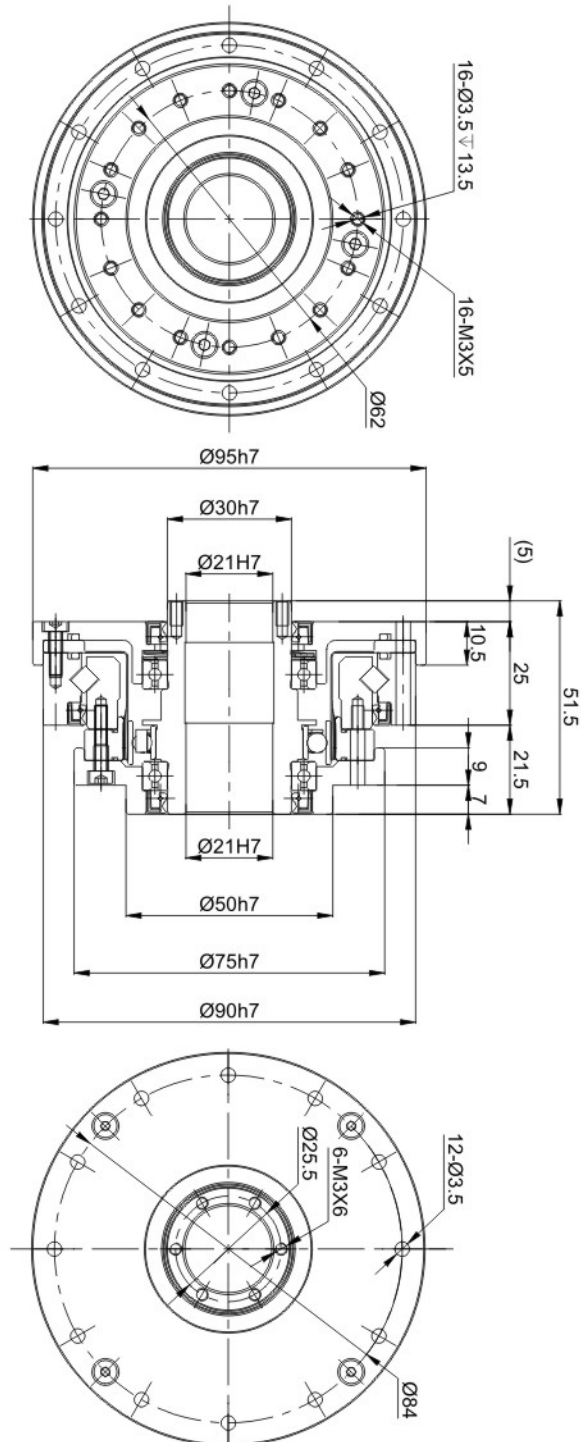
Box Unit KBG-HO-17



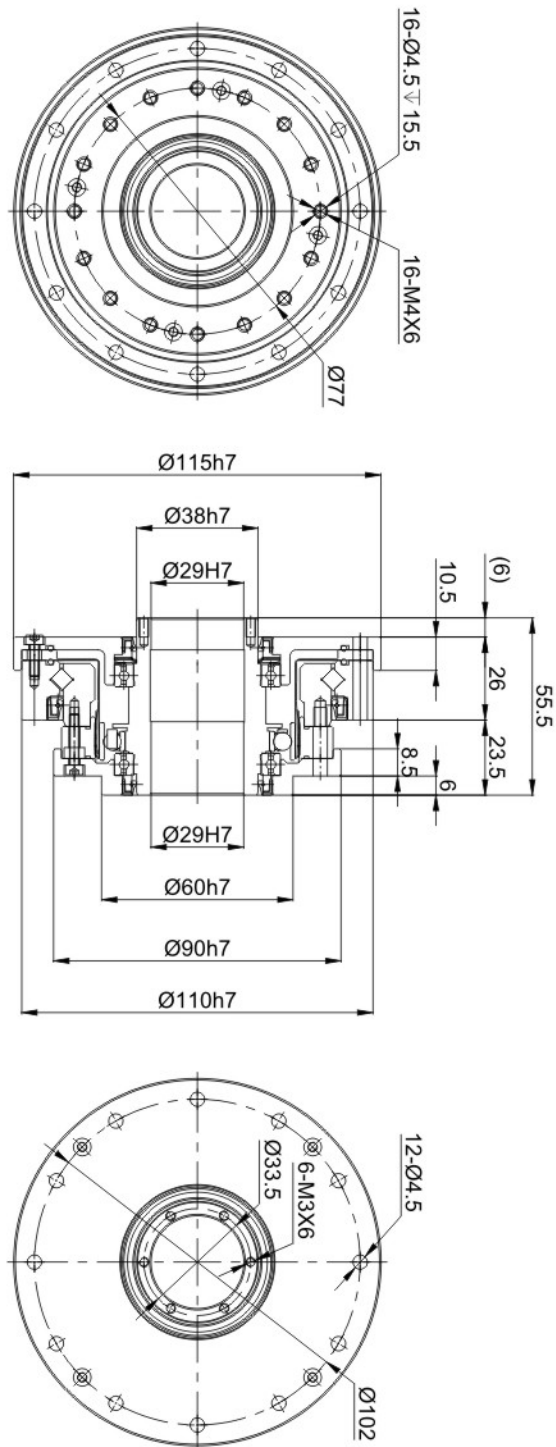
Strain Wave Gear KBG-HO Series Component Kit
Hollow shaft open Flexspline

Gear Dimensions

Box Unit KBG-HO-20



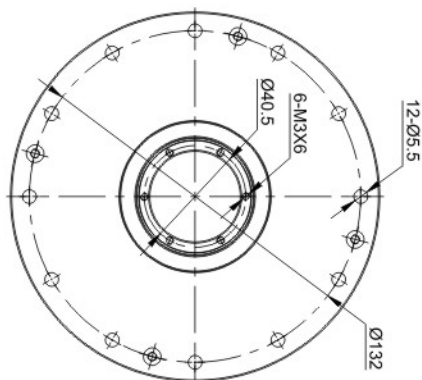
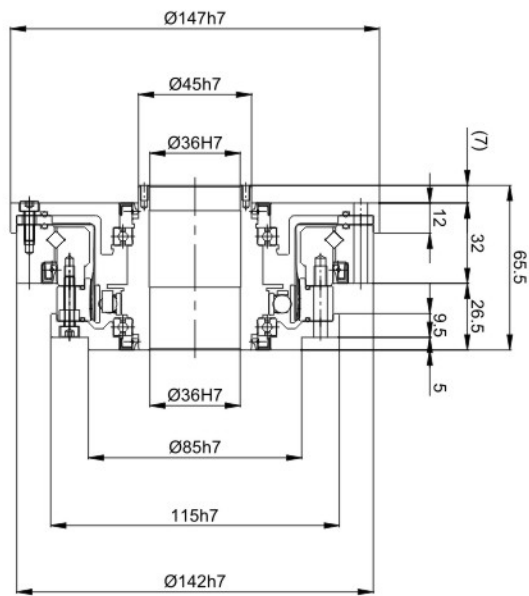
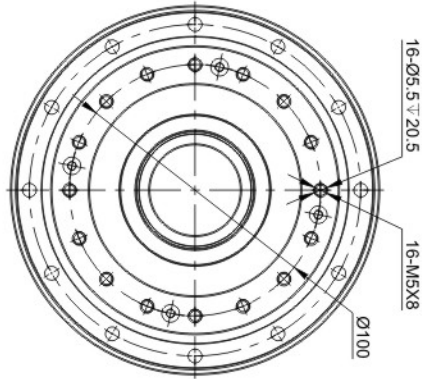
Box Unit KBG-HO-25



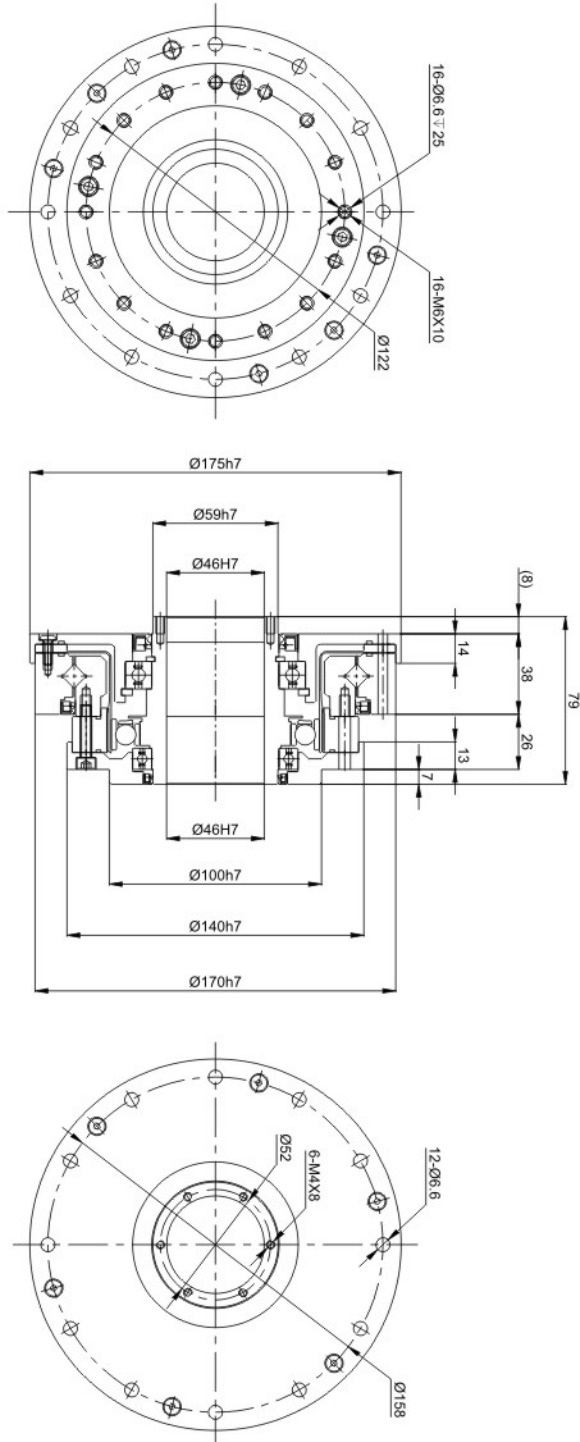
Strain Wave Gear KBG-HO Series Component Kit
Hollow shaft open Flexspline

Gear Dimensions

Box Unit KBG-HO-32



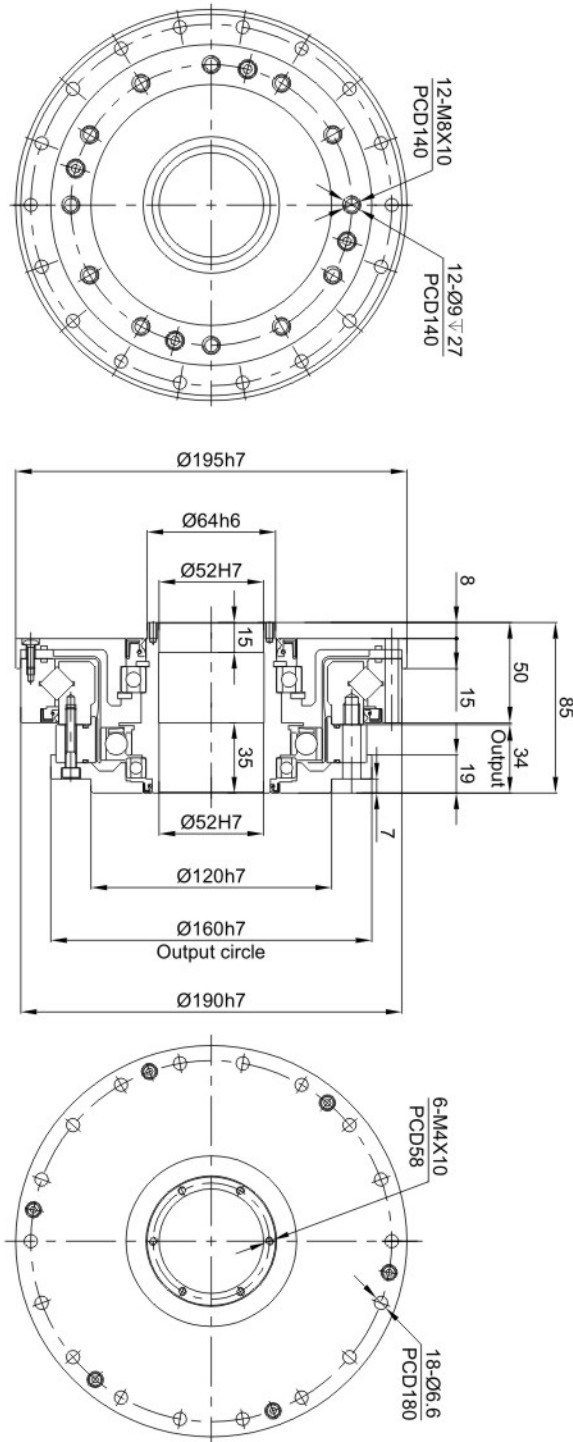
Box Unit KBG-HO-40



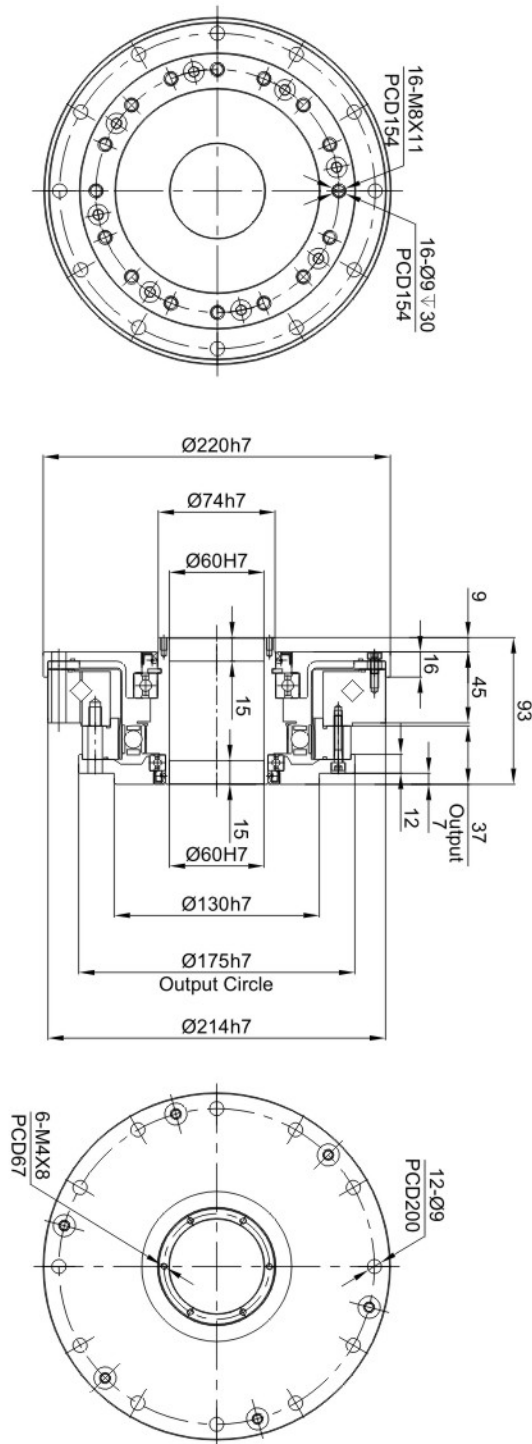
Strain Wave Gear KBG-HO Series Component Kit
Hollow shaft open Flexspline

Gear Dimensions

Box Unit KBG-HO-45



Box Unit KBG-HO-50



Strain Wave Gear KBG-HO Series Component Kit
Hollow shaft open Flexspline

Technical Memo

A large grid of graph paper, consisting of 20 columns and 30 rows of small squares, intended for technical drawing or calculations.

Strain Wave Gear KBC-HO Series Component Kit
Hollow shaft open Flexspline